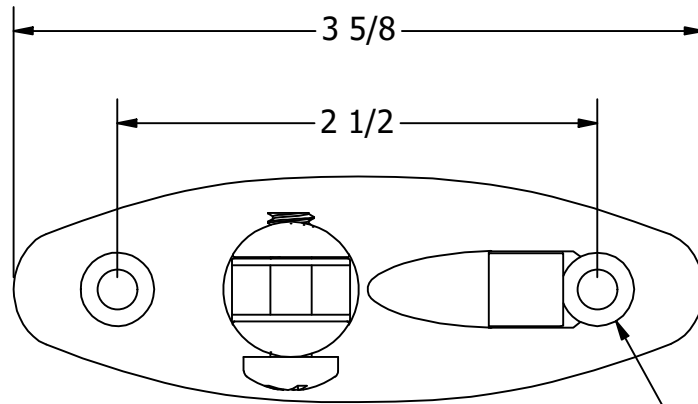
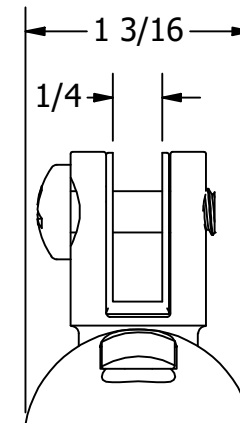
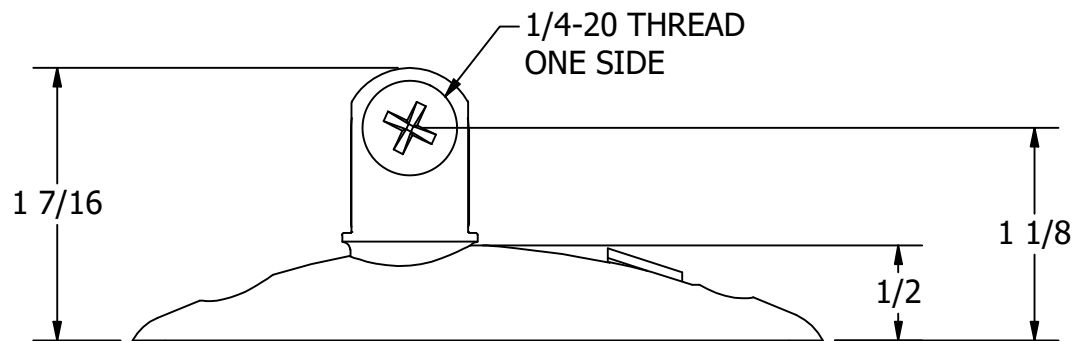


# FOR REFERENCE ONLY

NOTE:  
 OLD PART NO. T10-10003  
 ACCON PART NO. 401  
 316 STAINLESS STEEL  
 HIGH POLISH FINISH



CLEARANCE FOR #10 SCREWS  
 X2



TITLE  
 QUICK RELEASE BIMINI HINGES, SURFACE MOUNT  
 PART NUMBER: DS1001-401

SIZE A	DRAWING NO. MDD-DS1001-401	REV 0
SCALE 1 : 1	DRAWN RC	DATE 10/1/2024
		SHEET 1 OF 1