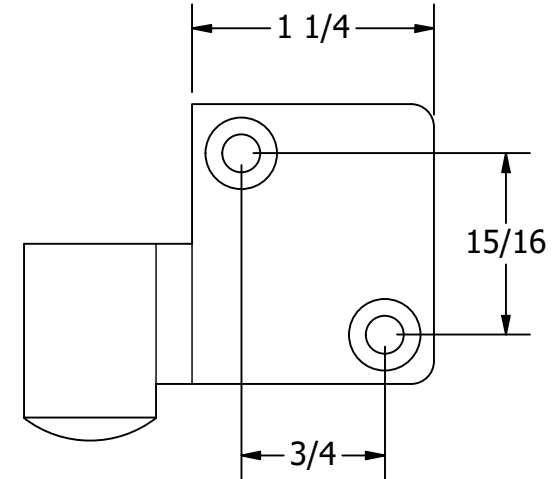
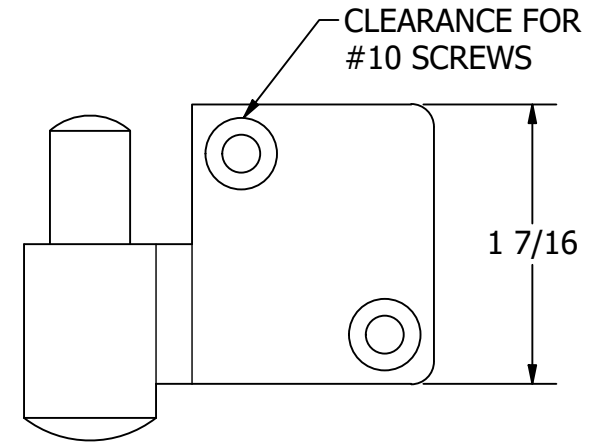
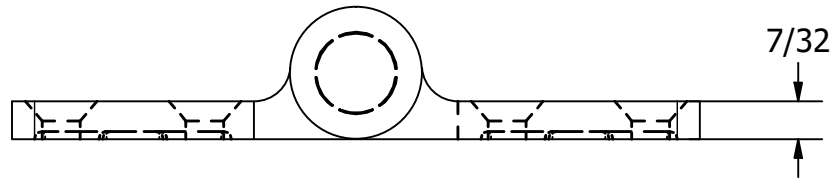
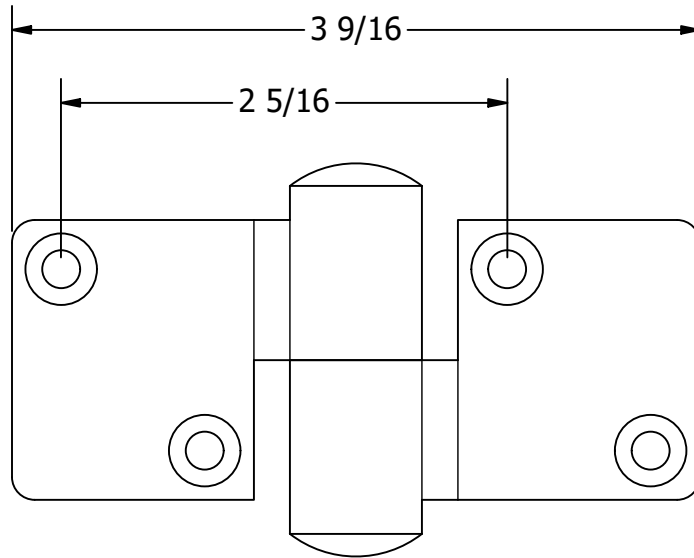


NOTES:

1. 316 STAINLESS STEEL
2. FINISH: HIGH POLISHED
3. SOLD BY THE PAIR

# FOR REFERENCE ONLY



UNLESS OTHERWISE SPECIFIED:  
 BREAK ALL SHARP EDGES  
 DIMENSIONS ARE IN INCHES  
 TOLERANCES:  
 FRACTIONAL:  $\pm 1/16$   
 DECIMAL: X.X  $\pm .05$   
           X.XX  $\pm .01$   
           X.XXX  $\pm .005$   
 ANGULAR:  $\pm 1^\circ$   
 FINISH: 120Ra

**PROPRIETARY AND CONFIDENTIAL**  
 THE INFORMATION CONTAINED IN THIS  
 DRAWING IS THE SOLE PROPERTY OF WHITE  
 WATER MARINE HARDWARE. ANY REPRODUCTION  
 IN PART OR AS A WHOLE WITHOUT WRITTEN  
 PERMISSION IS PROHIBITED.



**WHITE WATER**  
 MARINE HARDWARE

TITLE  
**TAKE-APART HINGE**  
**PART NUMBER: 6112S-R**

SIZE <b>A</b>	DRAWING NO. <b>WWMH-6112S-R</b>	REV <b>0</b>
SCALE <b>1 : 1</b>	DRAWN <b>RC</b>	DATE <b>12/3/2024</b>
		SHEET <b>1</b> OF <b>1</b>