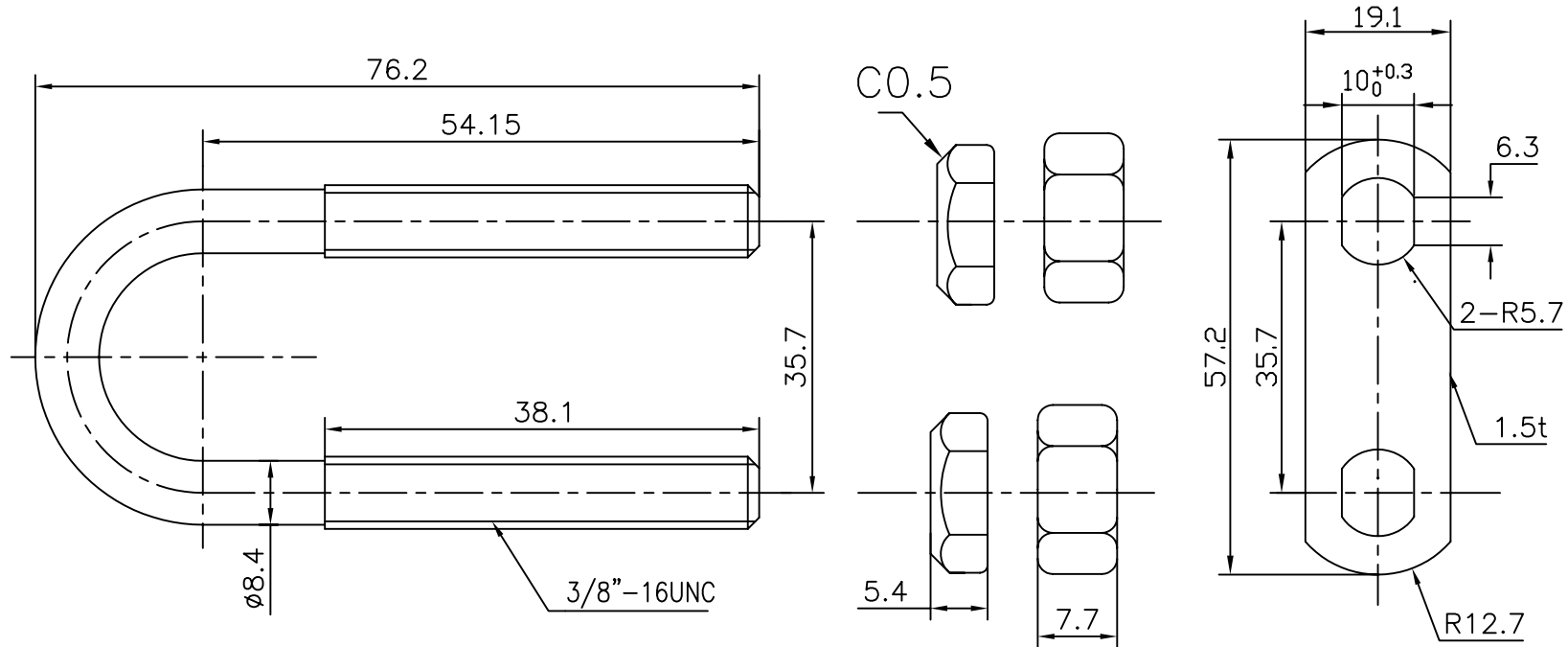


REVISIONS				
ZONE	LTR	DESCRIPTION	DATE	APPROVED



P/N:7846S-B

UNLESS OTHERWISE SPECIFIED: DIMENSION ARE IN M/M DO NOT SCALE DRAWING		 KUNSHAN AMAR INDUSTRY CO.,LTD			
DRAWN LWW		U型組合			
DATE 08.04.09		M'TL 304	Q'TY	DWG NO. AM5209S	EDITION 0
CHECKED		W.T.	g	FINISH	
APPROVED		SCALE	RELEASE DATE	SHEET	OF