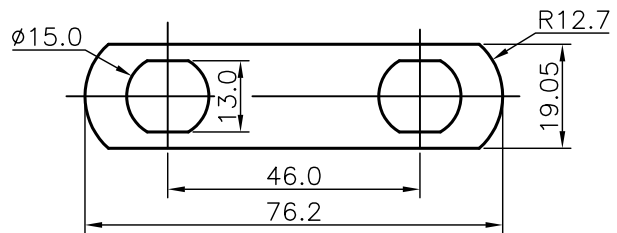
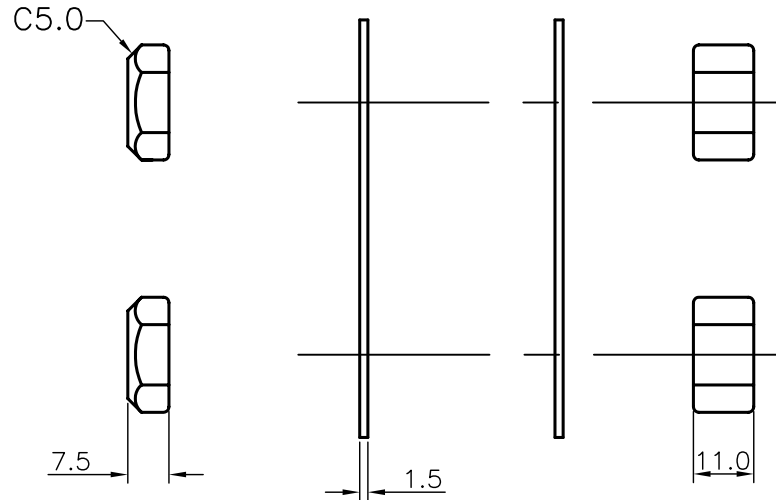
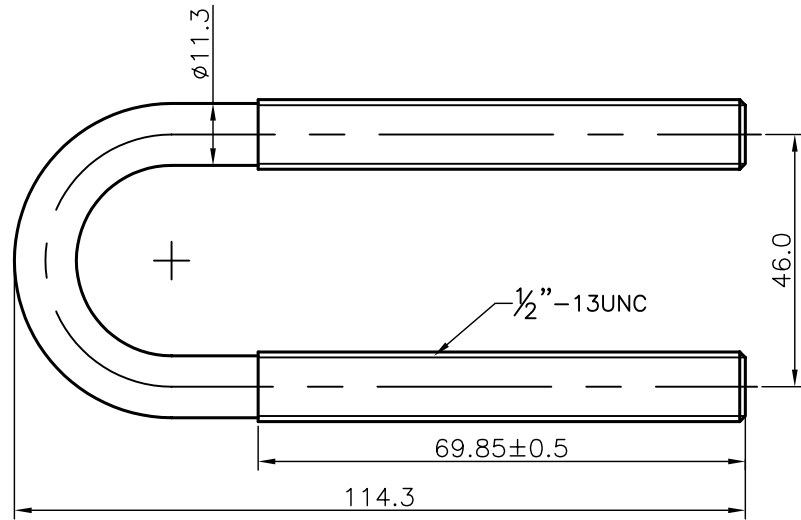


REVISIONS				
ZONE	LTR	DESCRIPTION	DATE	APPROVED



P/N: 7863S-B

UNLESS OTHERWISE SPECIFIED:
DIMENSION ARE IN M/M
DO NOT SCALE DRAWING



昆山艾美机电工业有限公司

U型螺丝

DRAWN	LWW	DATE	08/02/20		M'TL 304		Q'TY	DWG NO.	EDITION
CHECKED					W.T.	g	FINISH POLISHED	AM5211S	A0
APPROVED					SCALE 1:1	RELEASE DATE	SHEET	OF	