

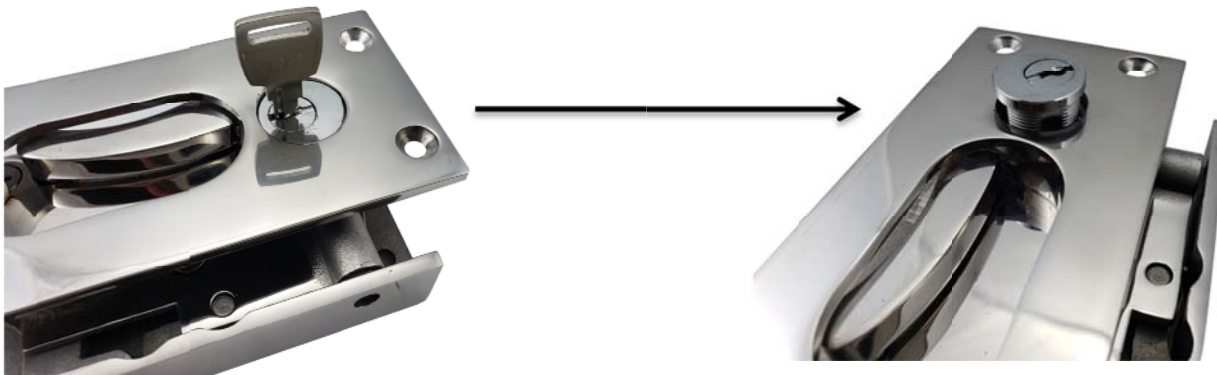
## Installation Guide

### Sliding Door Lock with Internal Release Knob (SKU #: S12-410)

1. Loosen this set screw with a small flathead screwdriver to release the lock barrel.



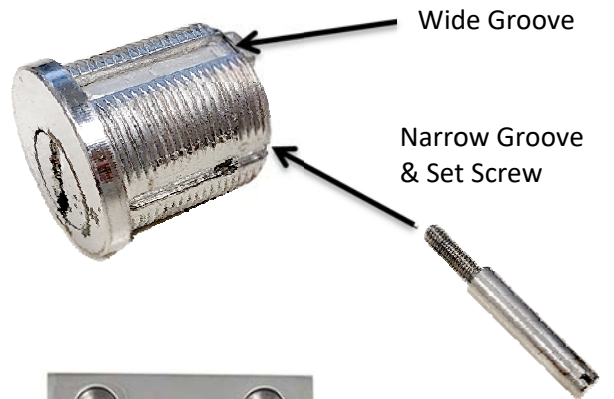
2. Place the key in half way and twist counter-clockwise to unscrew the lock barrel and remove it from the body.



3. Remove exterior face plate and mount lock in door.



4. Reverse the above process to re-assemble, adjusting the lock barrel depth to suit the door thickness.



5. There are 2 grooves in the lock barrel, one that is wide, and one that is narrow.

To ensure the lock barrel orientation is correct, have the wide groove oriented up, and the narrow groove should now be facing the set screw.



**Key out position: Key blade serrations up.**

To Lock: Turn key anti-clockwise 360 degrees.

To Unlock: Turn key clockwise 360 degrees.

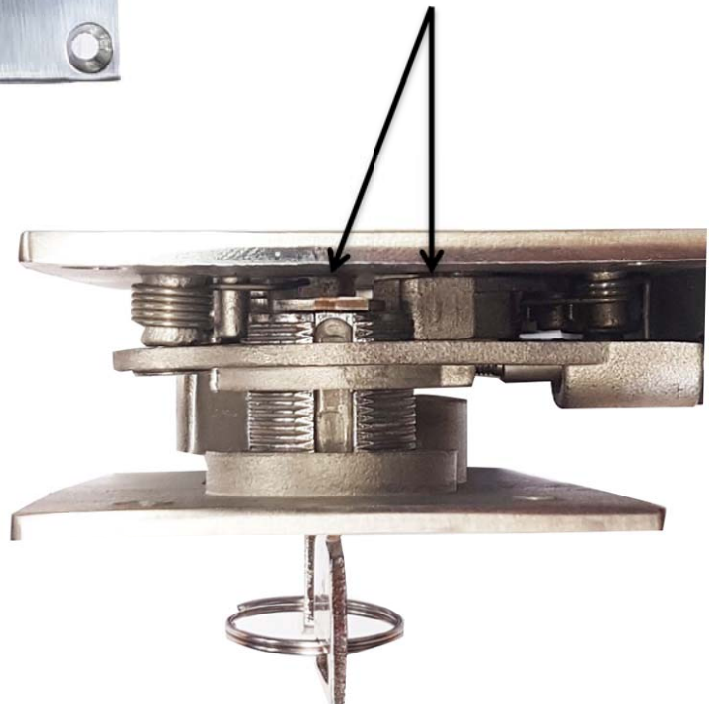
**Note: As with any lock, do not force the key as it could break. There is an internal bump stop to prevent more than 360° rotation in either direction**



The inside handle lock release knob is mounted inside the handle.



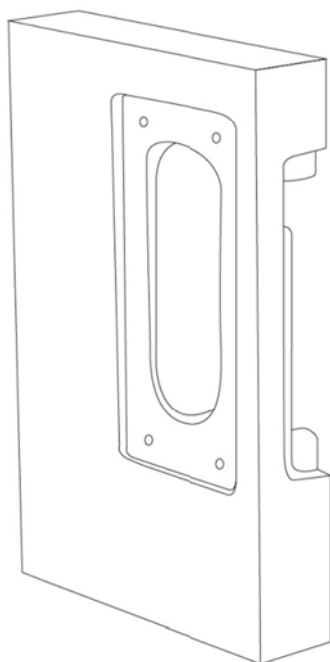
Cam tab on rear of lock barrel rotates through to engage / disengage the the inside handle lock release knob.



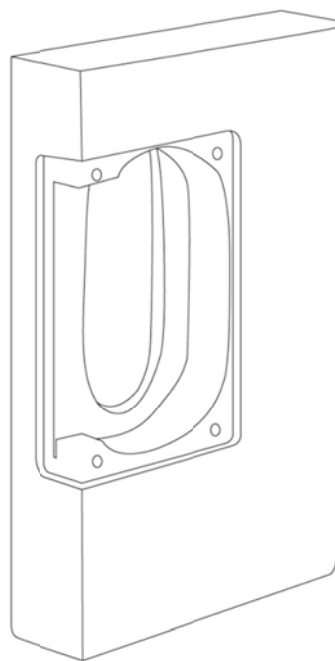
## REPLACEMENT VS NEW INSTALLATION

Instructions above are for replacement. Below you will find images and general information on the cut-out required.

For new installations, this is an advanced install and specialized tools will be required. We suggest reaching out to a yard or cabinet maker.



**Outside**



**Inside**