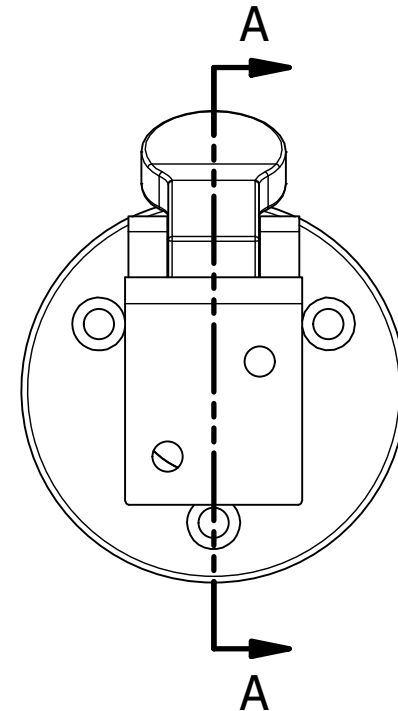
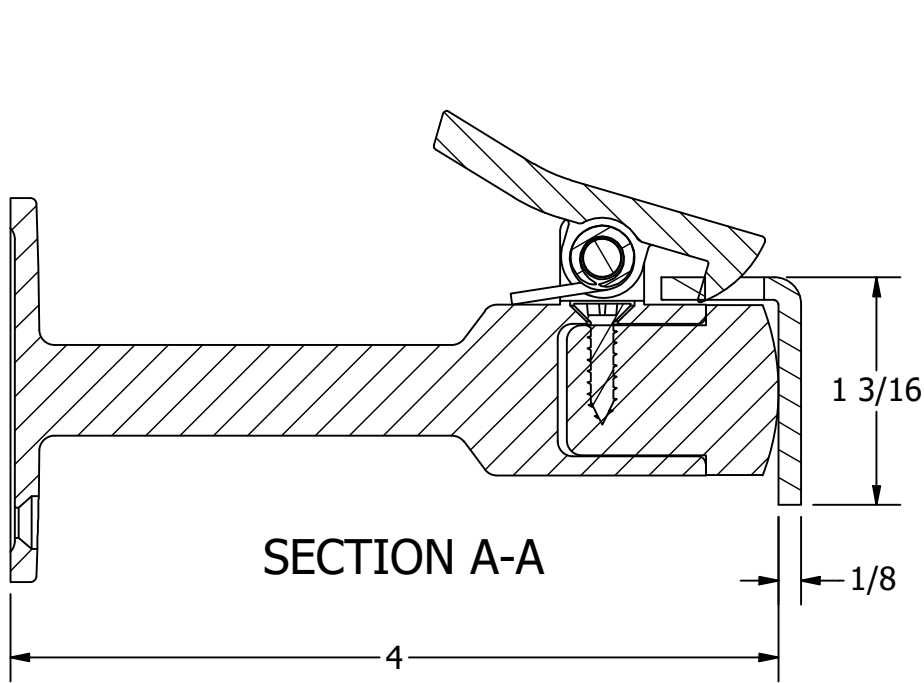
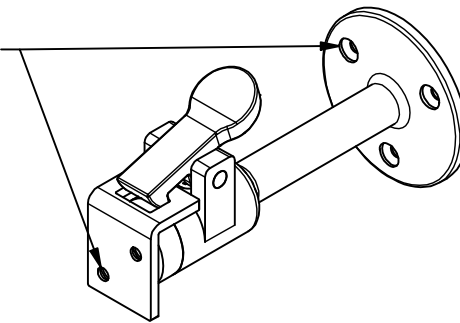



FOR REFERENCE ONLY

REVISION HISTORY		
REV	DESCRIPTION	DATE
1	HOLLOW MOUNTING PAD, INCREASE WALL THICKNESS	2/1/22
2	UPDATE MODEL DETAIL	5/13/22



CLEARANCE FOR #6  
FLAT OR OVAL HEAD SCREW  
X5



		<b>WHITE WATER</b> MARINE HARDWARE	
		TITLE 316SS CAST CUSHIONED DOOR HOLDER PART NUMBER: 2402SS	
SIZE A	DWG NO WWMH-2402SS CC	REV 2	
SCALE 1 : 1	MATERIAL	SHEET 1 OF 1	