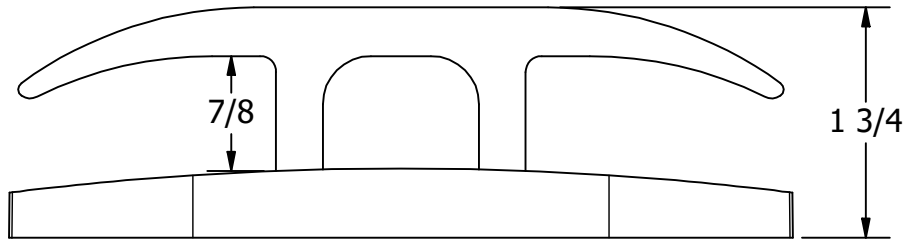


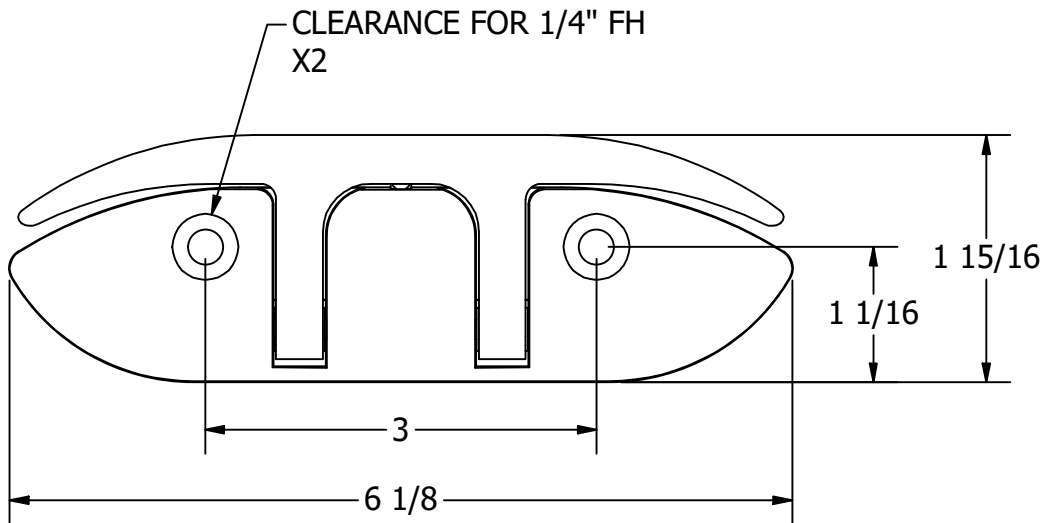
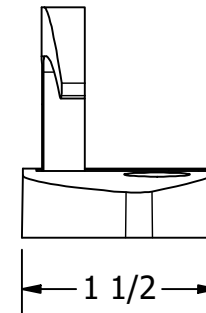
NOTES:

1. FINISH: HIGH POLISH

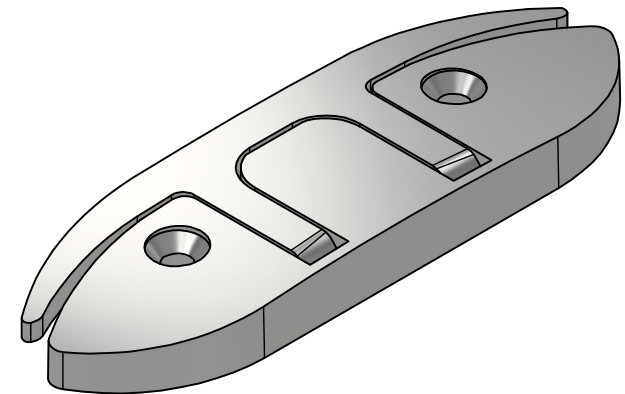
REVISION HISTORY		
REV	DESCRIPTION	DATE
1	CHANGE FASTENER HOLE PATTERN ECN1012	6/27/24



OPEN POSITION



FOLDED POSITION



WHITE WATER
MARINE HARDWARE

TITLE		
316SS FOLDING CLEAT, 6"		
PART NUMBER: 53072S		

<p>PROPRIETARY AND CONFIDENTIAL THE INFORMATION CONTAINED IN THIS DRAWING IS THE SOLE PROPERTY OF WHITE WATER MARINE HARDWARE. ANY REPRODUCTION IN PART OR AS A WHOLE WITHOUT WRITTEN PERMISSION IS PROHIBITED.</p>	SIZE A	DRAWING NO. WWMH-53072S	REV 1
	SCALE 2 : 3	DRAWN KSR	DATE 3/21/2024