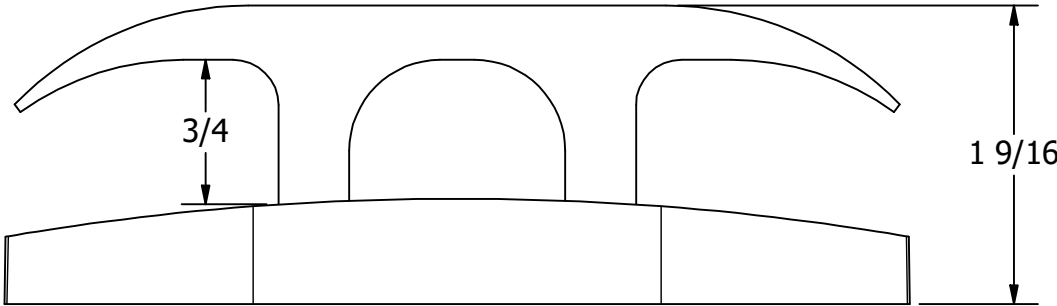
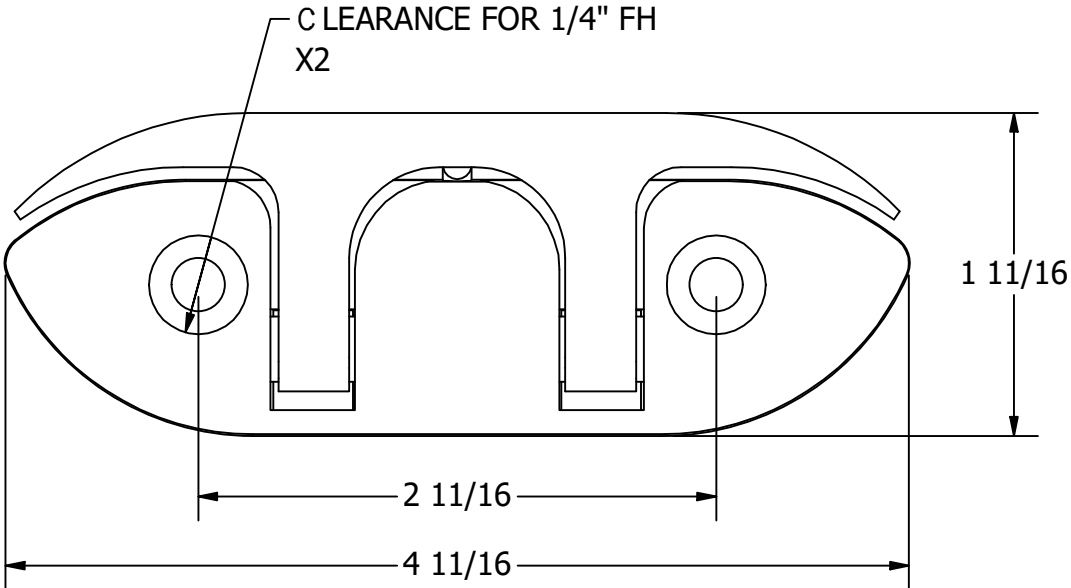
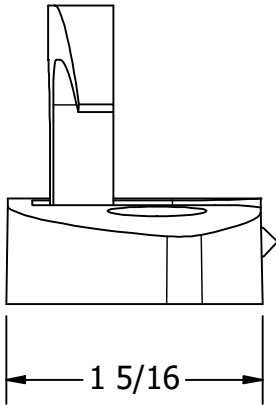


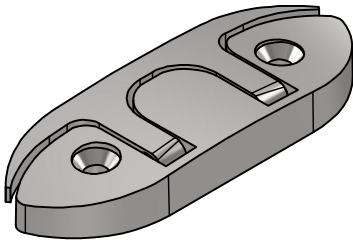
FOR REFERENCE ONLY




OPEN POSITION



FOLDED POSITION



SCALE 1 : 2

	WHITE WATER MARINE HARDWARE		
TITLE 316SS FOLDING CLEAT 4-1/2" PART NUMBER: 53071S			
SIZE A	DRAWING NO. WWMH-53071S CC	REV 0	
SCALE 1 : 1	DRAWN KSR	DATE 3/4/2025	SHEET 1 OF 1

PROPRIETARY AND CONFIDENTIAL
 THE INFORMATION CONTAINED IN THIS DRAWING IS THE SOLE PROPERTY OF WHITE WATER MARINE HARDWARE. ANY REPRODUCTION IN PART OR AS A WHOLE WITHOUT WRITTEN PERMISSION IS PROHIBITED.