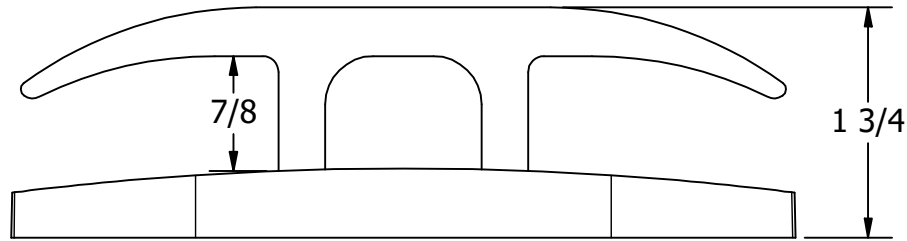
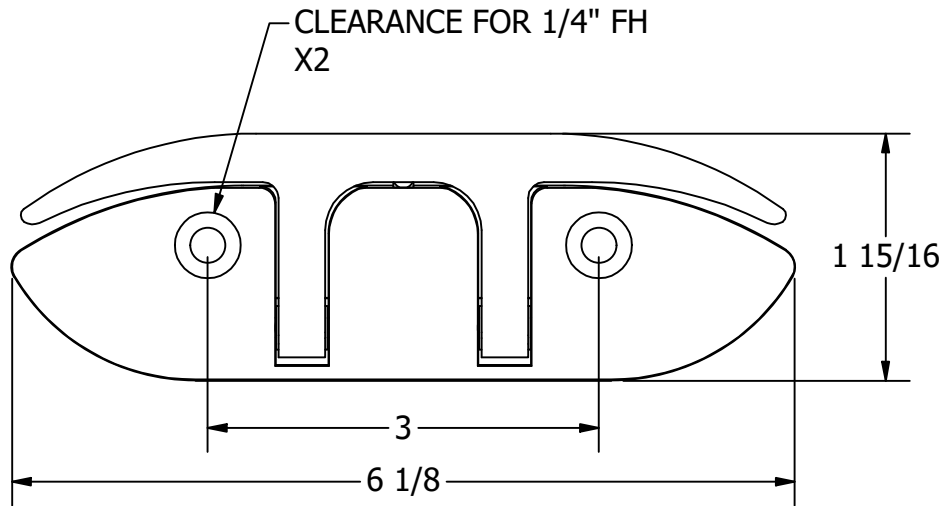
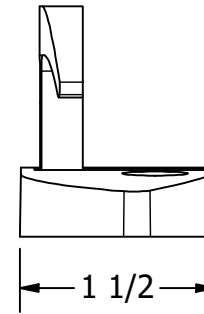


NOTES:

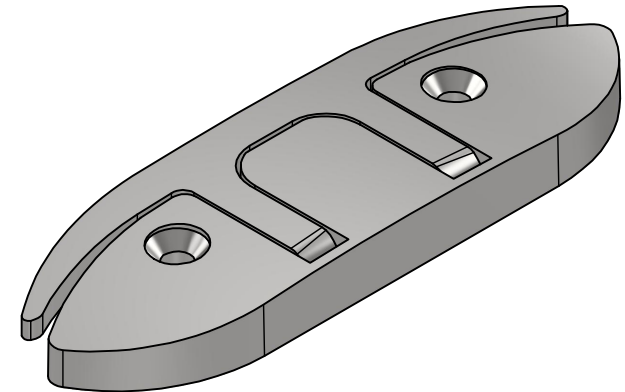
1. FINISH: HIGH POLISH



OPEN POSITION



FOLDED POSITION



WHITE WATER
MARINE HARDWARE

TITLE
304SS FOLDING CLEAT, 6"
PART NUMBER: 53077S

PROPRIETARY AND CONFIDENTIAL
THE INFORMATION CONTAINED IN THIS
DRAWING IS THE SOLE PROPERTY OF WHITE
WATER MARINE HARDWARE. ANY REPRODUCTION
IN PART OR AS A WHOLE WITHOUT WRITTEN
PERMISSION IS PROHIBITED.

SIZE A	DRAWING NO. WWMH-53077S CC	REV 0
SCALE 2 : 3	DRAWN KSR	DATE 3/21/2024
		SHEET 1 OF 1