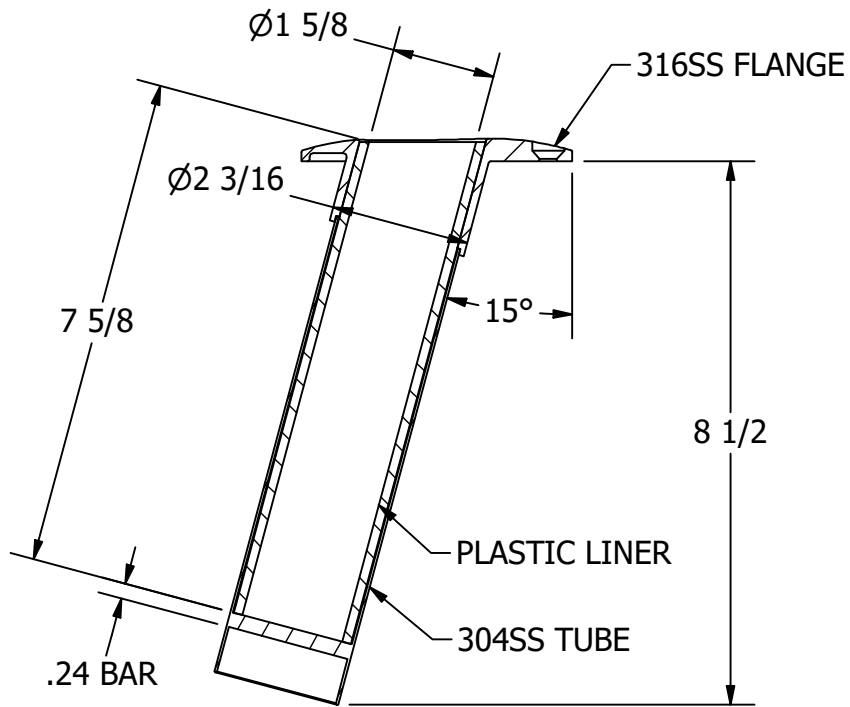
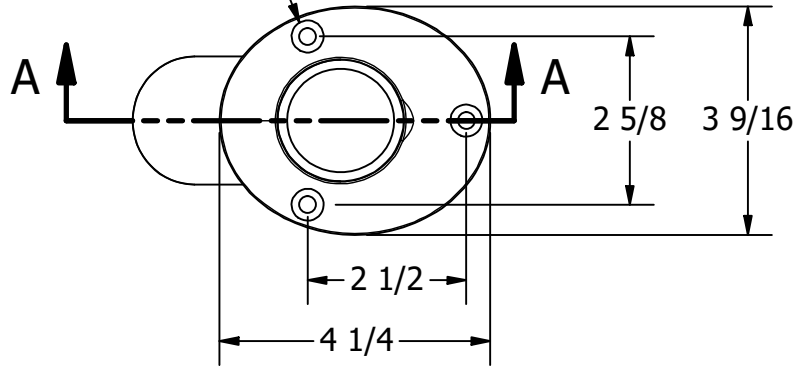
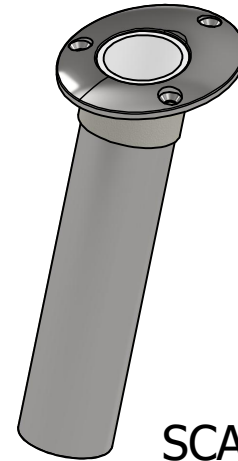



CLEARANCE FOR 1/4" FH



SECTION A-A



SCALE 1 : 4

		<b>WHITE WATER</b> MARINE HARDWARE	
		TITLE SS OVAL ROD HOLDER, 15 DEG, WHITE LINER PART NUMBER: 53316S	
SIZE A		DWG NO WWMH-53316S CC	REV 0
SCALE 1 : 3	MATERIAL	SHEET 1 OF 1	