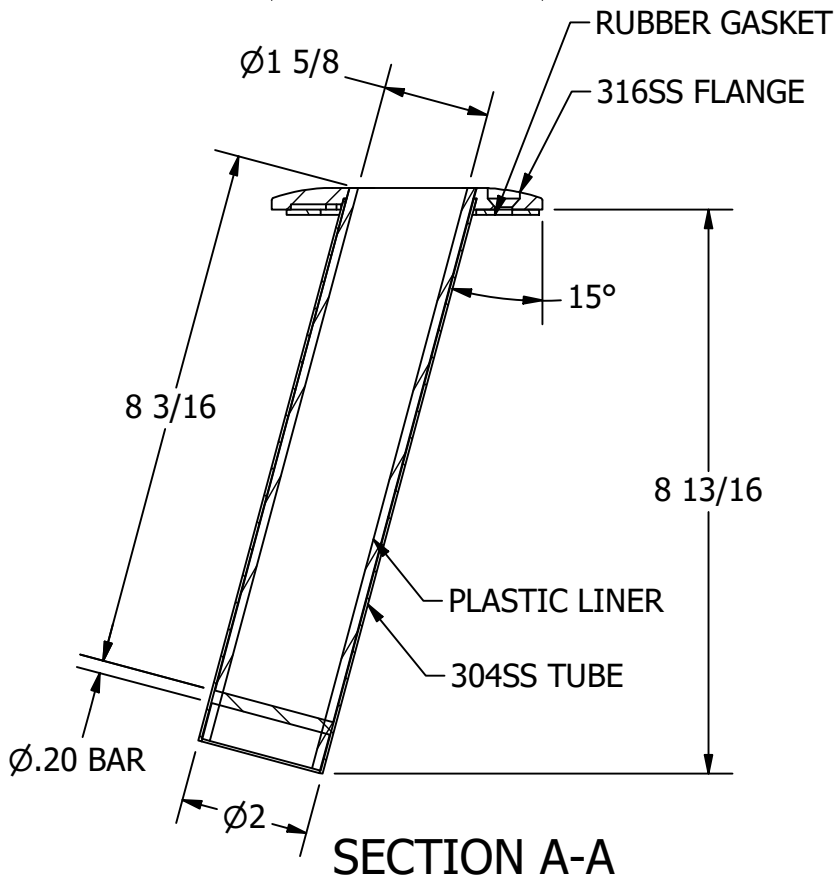
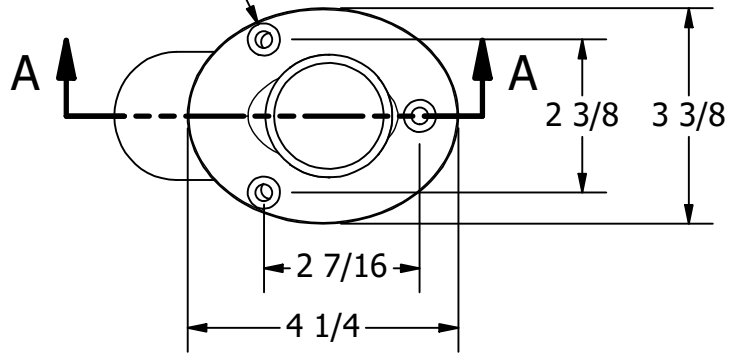
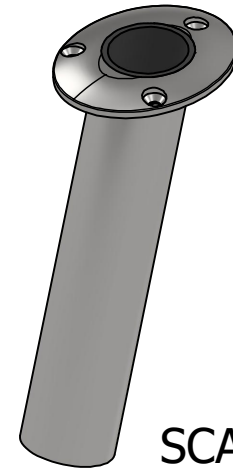



CLEARANCE FOR 1/4" FH



SECTION A-A



SCALE 1 : 4

		WHITE WATER MARINE HARDWARE	
		TITLE FLUSH MOUNT ROD HOLDER, 15 DEG, BLACK LINER PART NUMBER: 56135SP15 CC	
SIZE A	DWG NO WWMH-56135SP15 CC	REV 0	
SCALE 1 : 3	MATERIAL	SHEET 1 OF 1	