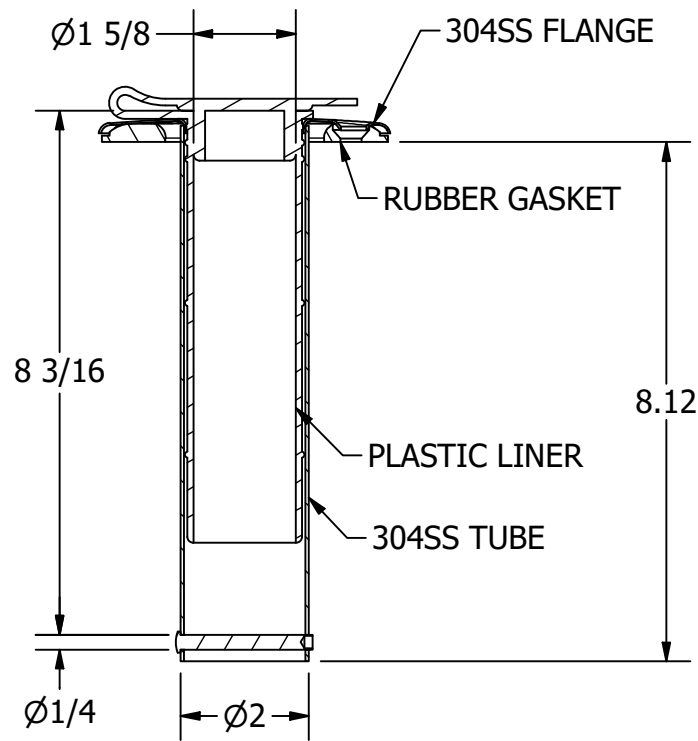
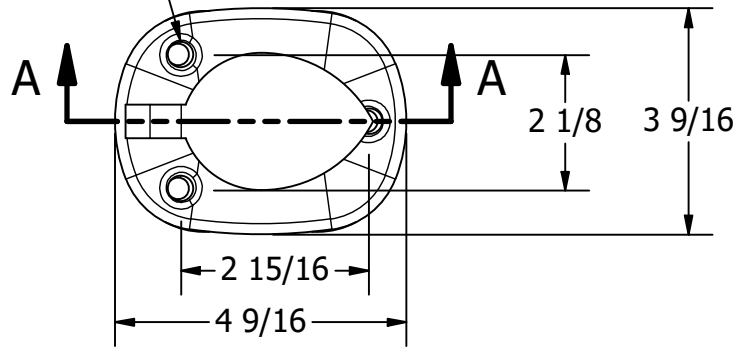
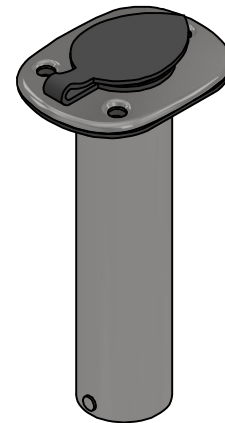


FOR REFERENCE ONLY


CLEARANCE FOR 1/4" FH



SECTION A-A



SCALE 1 : 4

		WHITE WATER MARINE HARDWARE	
TITLE STAMPED ROD HOLDER, 0 DEG, BLACK LINER W/ CAP PART NUMBER: 57739S00			
SIZE A	DWG NO WWMH-57739S00 CC	REV 0	
SCALE 1 : 3	MATERIAL	SHEET 1 OF 1	