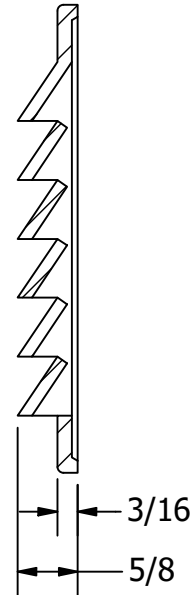
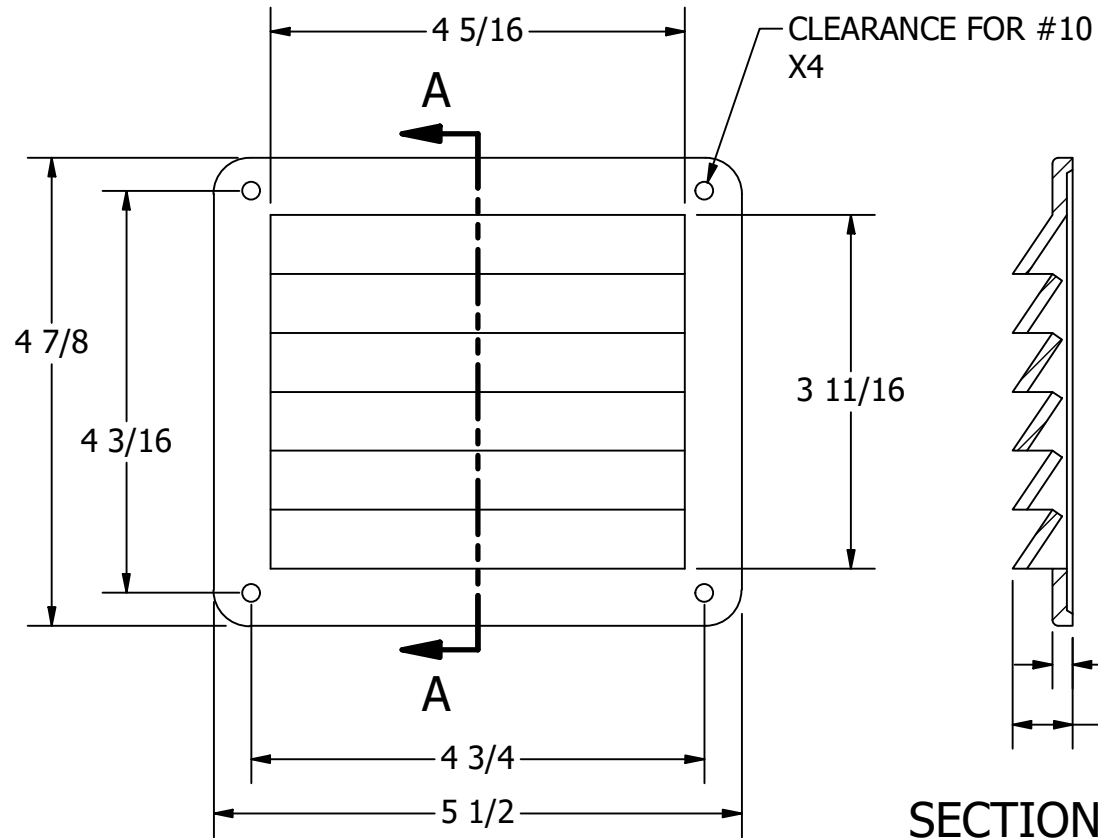
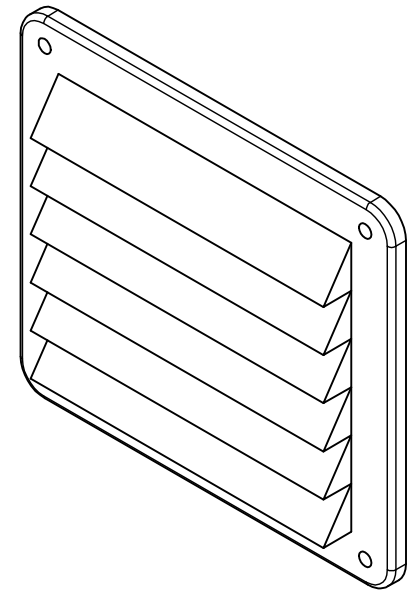


# FOR REFERENCE ONLY



SECTION A-A



		<b>WHITE WATER</b> MARINE HARDWARE	
		TITLE <b>PLASTIC LOUVERED VENT</b> <b>PART NUMBER: 58824B</b>	
SIZE <b>A</b>	DWG NO <b>WWMH-58824B CC</b>	REV <b>0</b>	
SCALE <b>1 : 2</b>	MATERIAL <b>ABS Plastic</b>	SHEET <b>1</b> OF <b>1</b>	