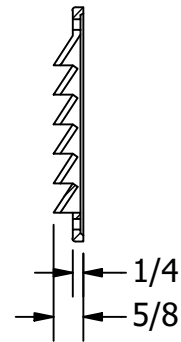
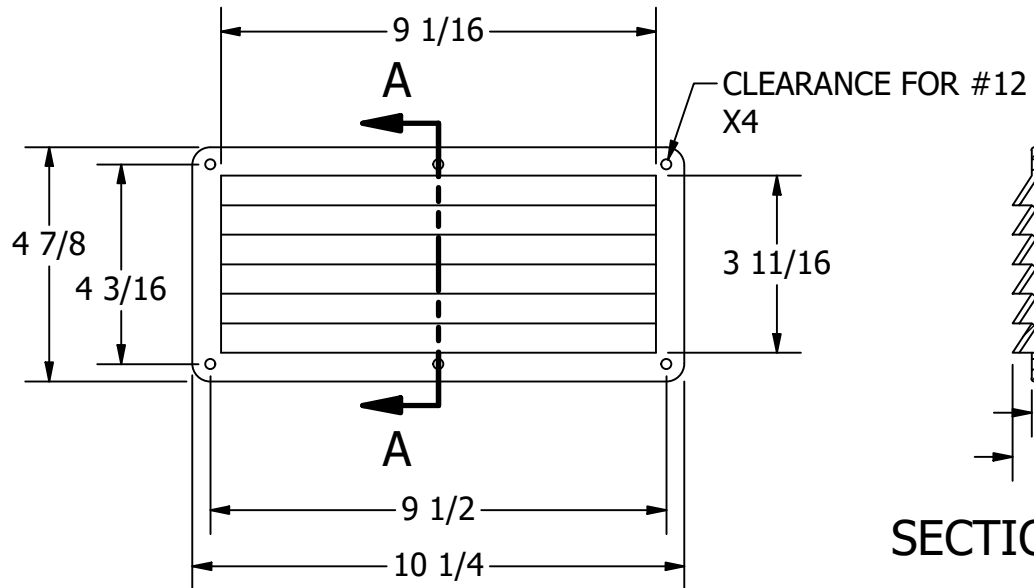
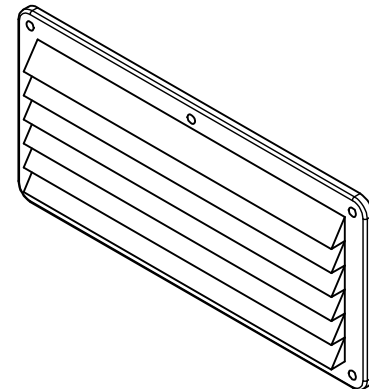



FOR REFERENCE ONLY



SECTION A-A



		WHITE WATER MARINE HARDWARE	
		TITLE PLASTIC LOUVERED VENT PART NUMBER: 58825B	
SIZE A		DWG NO WWMH-58825B CC	REV 0
SCALE 1 : 4	MATERIAL ABS Plastic	SHEET 1 OF 1	