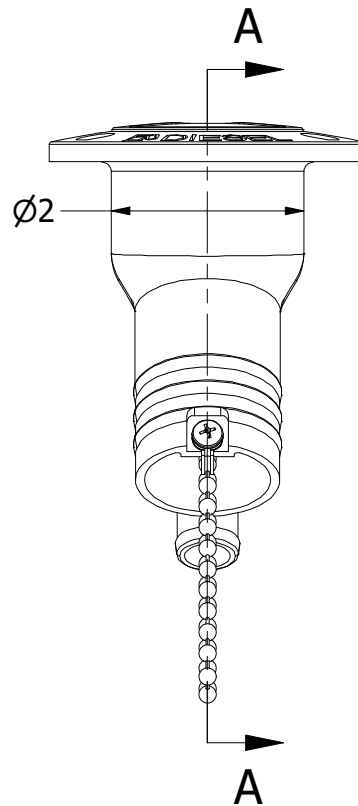
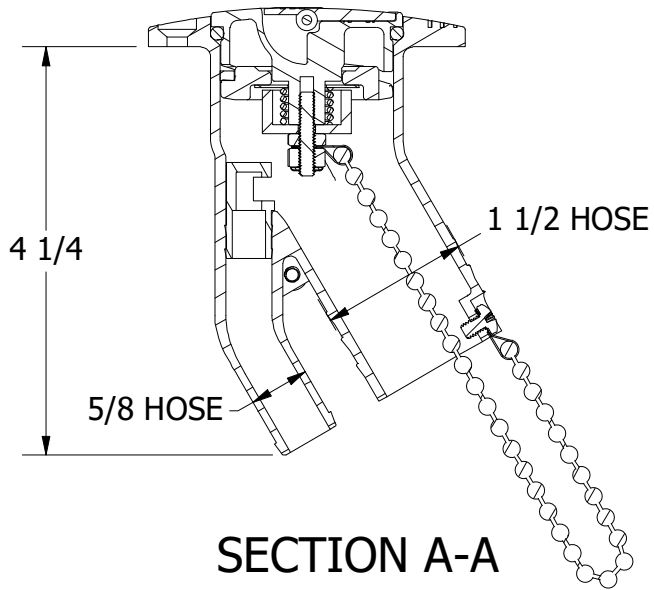
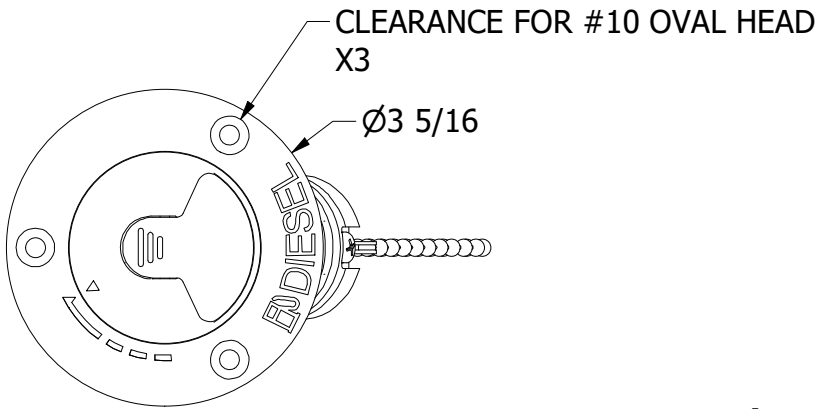


REVISION HISTORY

REV	DESCRIPTION	DATE
1	ECN 1004	3/11/24



**WHITE WATER**  
 MARINE HARDWARE

TITLE  
**1/4 TURN ANGLED VENTED DECK FILL, DIESEL 1-1/2"**  
**PART NUMBER: 6004SEU-FT-VA**

**PROPRIETARY AND CONFIDENTIAL**  
 THE INFORMATION CONTAINED IN THIS  
 DRAWING IS THE SOLE PROPERTY OF WHITE  
 WATER MARINE HARDWARE. ANY REPRODUCTION  
 IN PART OR AS A WHOLE WITHOUT WRITTEN  
 PERMISSION IS PROHIBITED.

SIZE <b>A</b>	DRAWING NO. <b>WWW-6004SEU-FT-VA</b>	REV <b>1</b>
SCALE <b>1 : 2</b>	DRAWN <b>KSR</b>	DATE <b>3/11/2024</b>
		SHEET <b>1</b> OF <b>1</b>