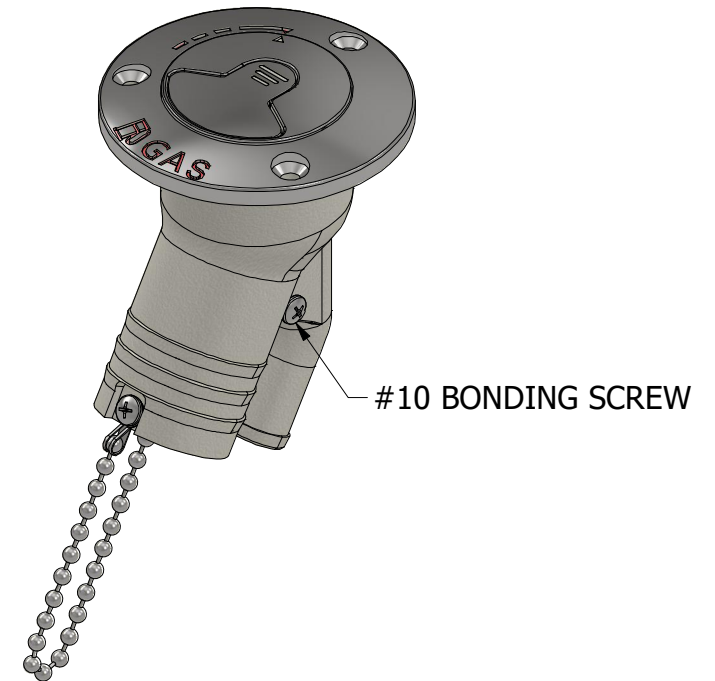
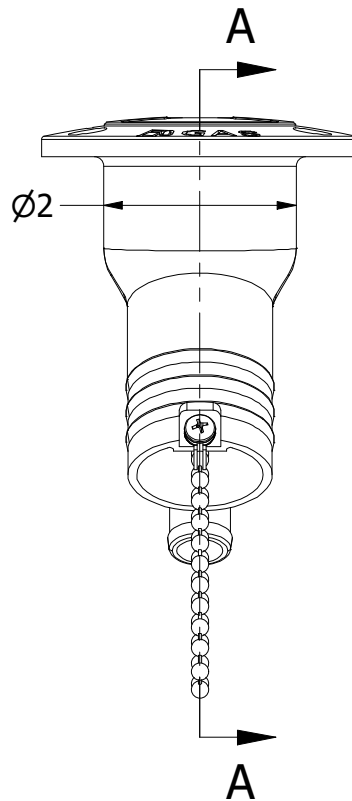
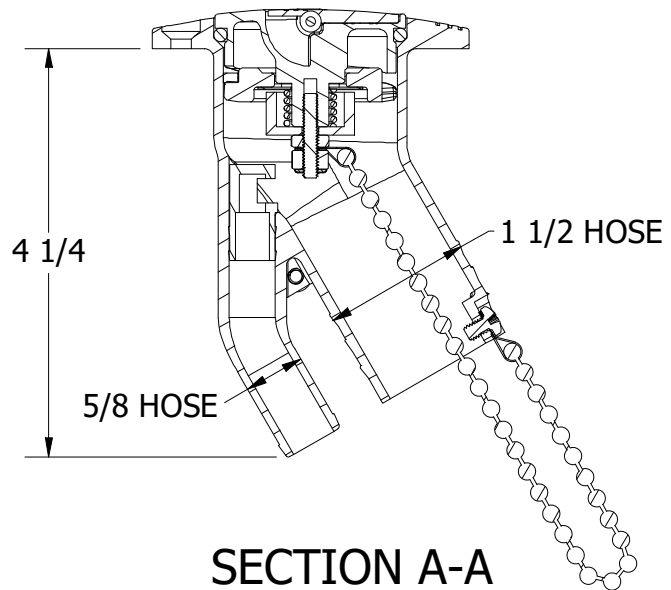
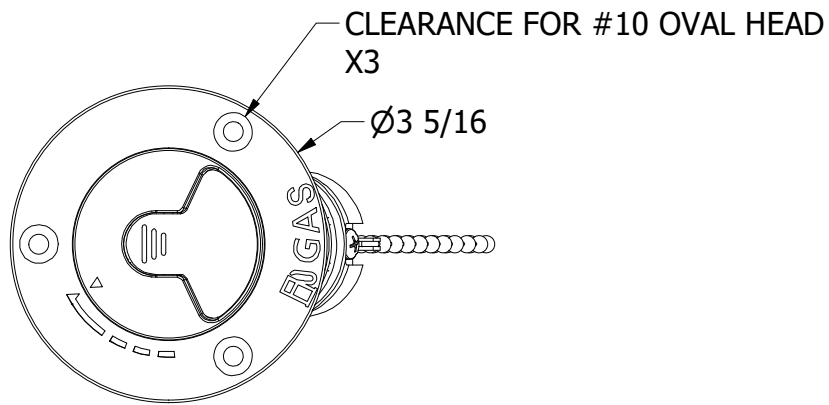


REVISION HISTORY		
REV	DESCRIPTION	DATE
1	ADJUST CAP TO PREVENT OVERROTATION	4/20/21
2	CHAMFER O-RING GROOVE	9/16/22
3	EXTEND LANYARD TO MATCH PRODUCTION	8/14/23
4	ECN 1004	3/11/24



WHITE WATER
MARINE HARDWARE

TITLE
1/4 TURN ANGLED VENTED DECK FILL, GAS 1-1/2"
PART NUMBER: 6005SEU-FT-VA

PROPRIETARY AND CONFIDENTIAL
THE INFORMATION CONTAINED IN THIS DRAWING IS THE SOLE PROPERTY OF WHITE WATER MARINE HARDWARE. ANY REPRODUCTION IN PART OR AS A WHOLE WITHOUT WRITTEN PERMISSION IS PROHIBITED.

SIZE A	DRAWING NO. WWMH-6005SEU-FT-VA	REV 4
SCALE 1 : 2	DRAWN KSR	DATE 5/11/2020
		SHEET 1 OF 1