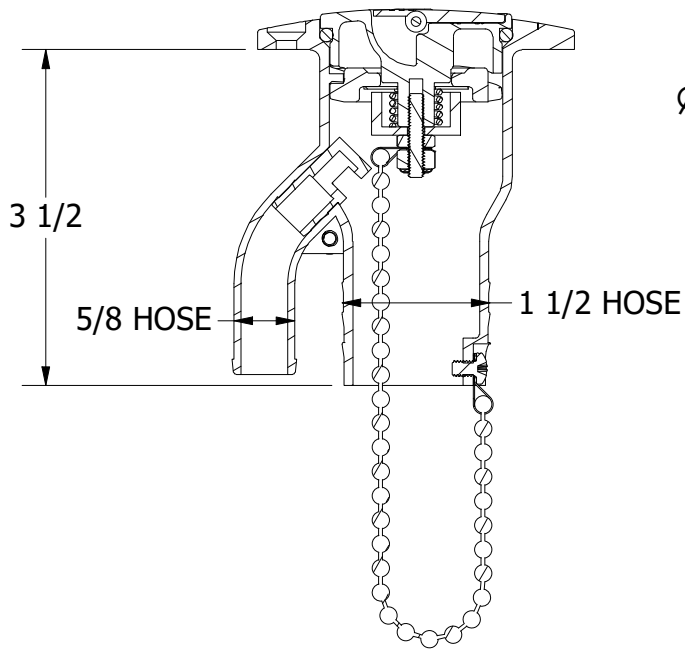
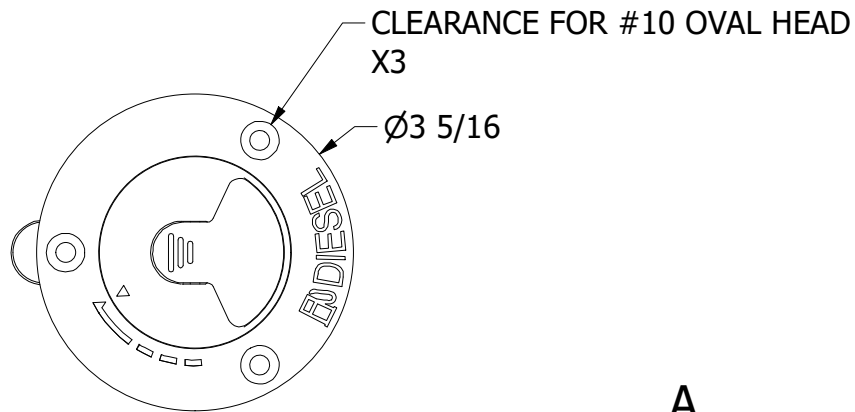
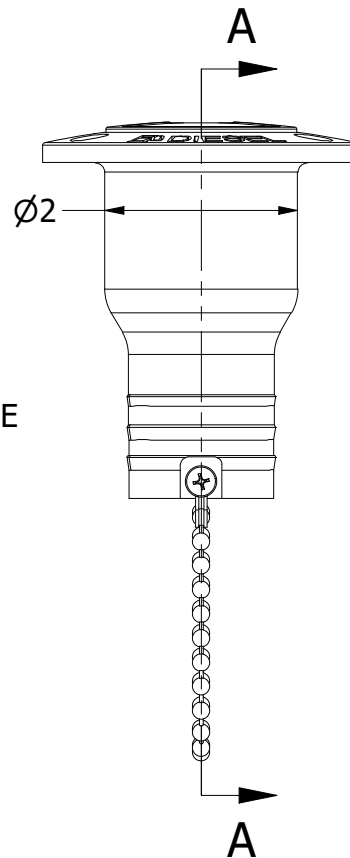


REVISION HISTORY

REV	DESCRIPTION	DATE
1	ECN 1004	3/11/24



SECTION A-A



WHITE WATER
MARINE HARDWARE

TITLE
1/4 TURN STRAIGHT VENTED FILL, DIESEL 1-1/2"
PART NUMBER: 6004SEU-FT-VS

PROPRIETARY AND CONFIDENTIAL
THE INFORMATION CONTAINED IN THIS
DRAWING IS THE SOLE PROPERTY OF WHITE
WATER MARINE HARDWARE. ANY REPRODUCTION
IN PART OR AS A WHOLE WITHOUT WRITTEN
PERMISSION IS PROHIBITED.

SIZE A	DRAWING NO. WWW-6004SEU-FT-VS	REV 1
SCALE 1 : 2	DRAWN KSR	DATE 3/11/2024
		SHEET 1 OF 1