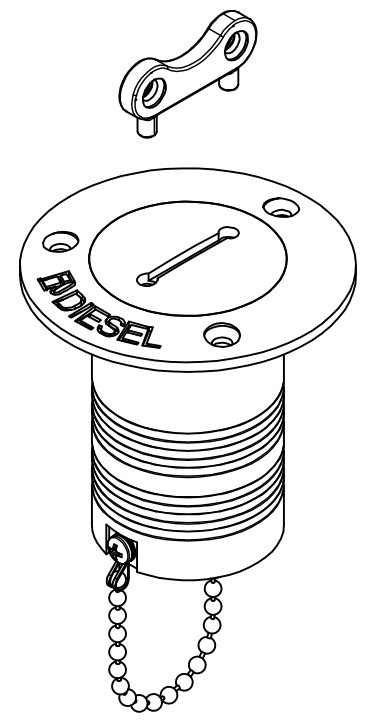
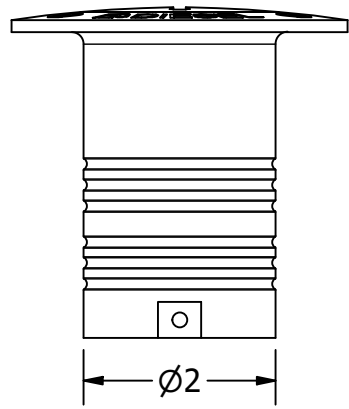



SECTION A-A



|  |   |                                    |                           |
|--|---|------------------------------------|---------------------------|
| UNLESS OTHERWISE SPECIFIED:<br>BREAK ALL SHARP EDGES<br>DIMENSIONS ARE IN INCHES<br>TOLERANCES:<br>FRACTIONAL: ± 1/16<br>DECIMAL: X.X ± .05<br>X.XX ± .01<br>X.XXX ± .005<br>ANGULAR: ± 1°<br>FINISH: 120Ra                        |  <b>WHITE WATER</b><br>MARINE HARDWARE |                                    |                           |
|  | TITLE<br><b>DECK FILL, COLOR SYMBOL, DIESEL, 2"</b><br>PART NUMBER: 6008SEU   |                                    |                           |
| <b>PROPRIETARY AND CONFIDENTIAL</b><br>THE INFORMATION CONTAINED IN THIS<br>DRAWING IS THE SOLE PROPERTY OF WHITE<br>WATER MARINE HARDWARE. ANY REPRODUCTION<br>IN PART OR AS A WHOLE WITHOUT WRITTEN<br>PERMISSION IS PROHIBITED. | SIZE<br><b>A</b>  | DRAWING NO.<br><b>WWMH-6008SEU</b> | REV<br><b>0</b>           |
|  | SCALE<br><b>1/2</b>   | DRAWN<br><b>RC</b>                 | DATE<br><b>12/13/2024</b> |

FOR REFERENCE ONLY