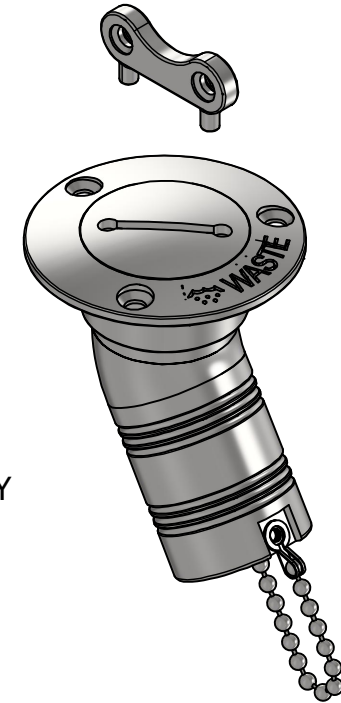
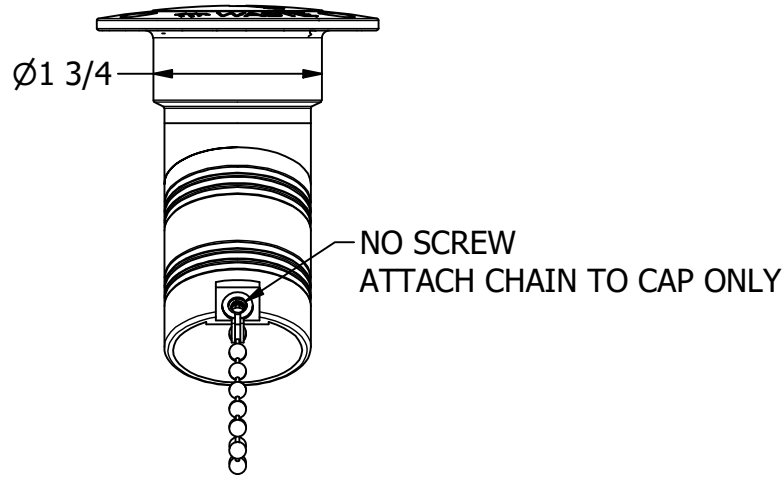



SECTION A-A



REVISION HISTORY		
REV	DESCRIPTION	DATE
1	ADD CHAIN ECN1019	8/29/24

FOR REFERENCE ONLY

PROPRIETARY AND CONFIDENTIAL
THE INFORMATION CONTAINED IN THIS
DRAWING IS THE SOLE PROPERTY OF WHITE
WATER MARINE HARDWARE. ANY REPRODUCTION
IN PART OR AS A WHOLE WITHOUT WRITTEN
PERMISSION IS PROHIBITED.

 WHITE WATER MARINE HARDWARE		TITLE	
		30 DEG DECK FILL, COLOR SYMBOL, WASTE, 1-1/2" PART NUMBER: 6002SEU-30 (RD215)	
SIZE	DRAWING NO.	REV	
A	WWMH-6002SEU-30 CC	1	
SCALE	DRAWN	DATE	SHEET 1 OF 1
1 : 2	KSR	6/17/2024	