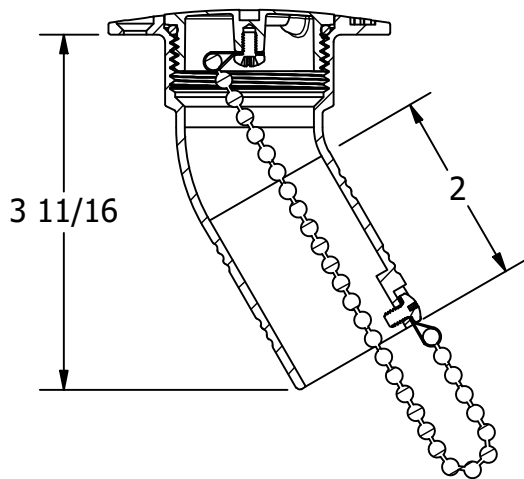
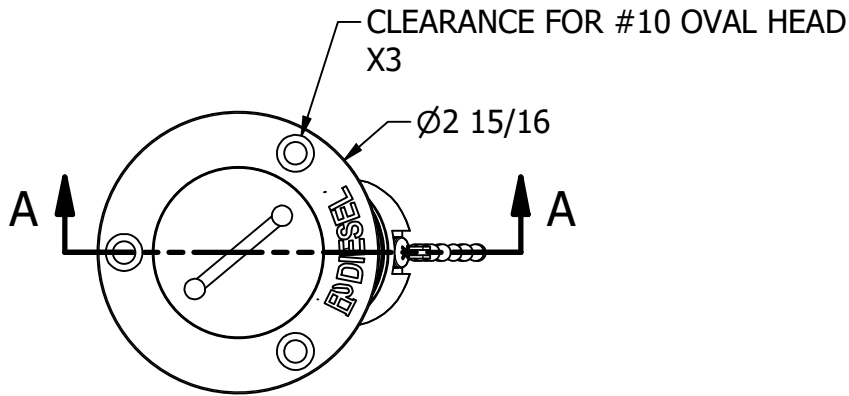
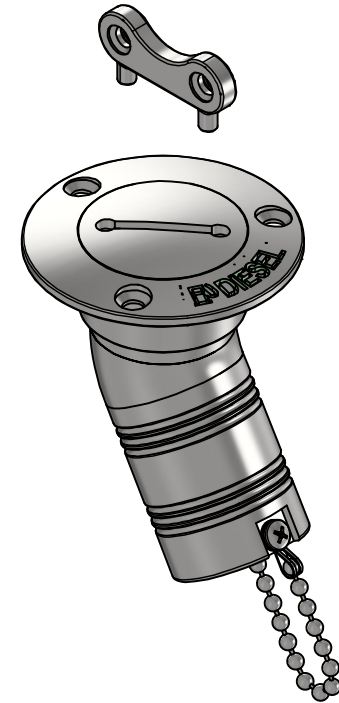
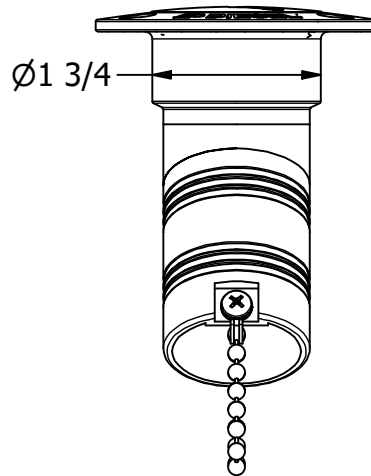


NOTES:

1. MATERIAL: 316SS
2. FINISH: HIGH POLISH



SECTION A-A



FOR REFERENCE ONLY



**WHITE WATER**  
MARINE HARDWARE

TITLE  
30 DEG DECK FILL, COLOR SYMBOL, DIESEL, 1-1/2"  
PART NUMBER: 6004SEU-30

**PROPRIETARY AND CONFIDENTIAL**  
THE INFORMATION CONTAINED IN THIS DRAWING IS THE SOLE PROPERTY OF WHITE WATER MARINE HARDWARE. ANY REPRODUCTION IN PART OR AS A WHOLE WITHOUT WRITTEN PERMISSION IS PROHIBITED.

SIZE A	DRAWING NO. WWMH-6004SEU-30 CC	REV 0
SCALE 1 : 2	DRAWN KSR	DATE 3/25/2025
		SHEET 1 OF 1