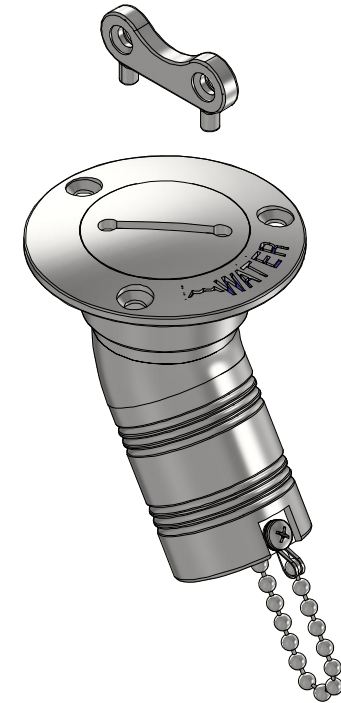
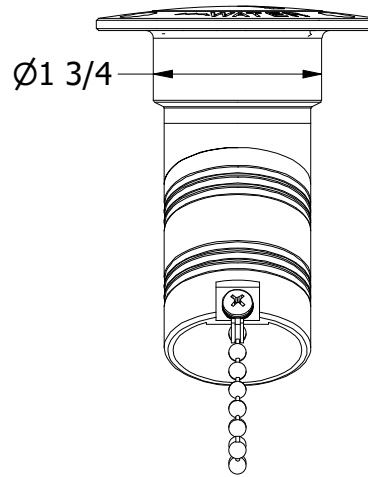



SECTION A-A



FOR REFERENCE ONLY

PROPRIETARY AND CONFIDENTIAL
THE INFORMATION CONTAINED IN THIS
DRAWING IS THE SOLE PROPERTY OF WHITE
WATER MARINE HARDWARE. ANY REPRODUCTION
IN PART OR AS A WHOLE WITHOUT WRITTEN
PERMISSION IS PROHIBITED.

		WHITE WATER MARINE HARDWARE	
SIZE	DRAWING NO.		REV
A	WWMH-6006SEU-30 CC		0
SCALE	DRAWN	DATE	SHEET 1 OF 1
1 : 2	KSR	6/4/2024	