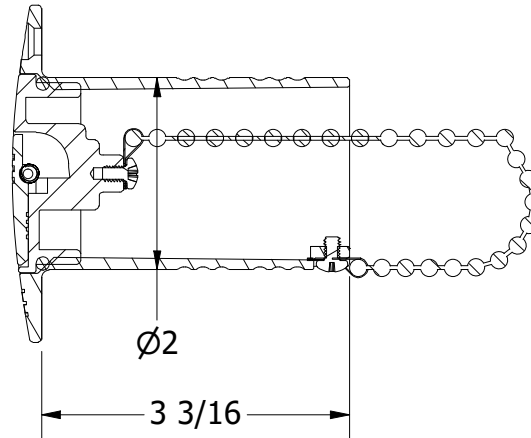
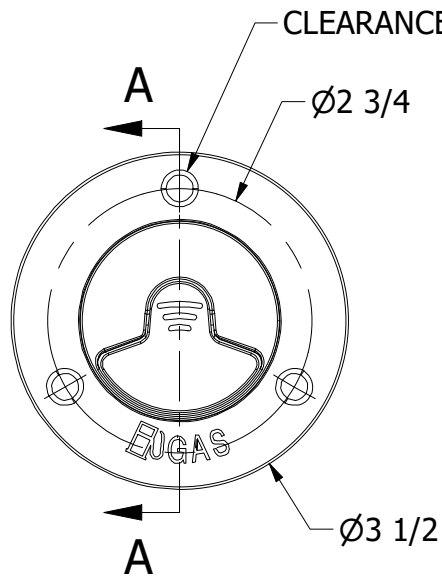
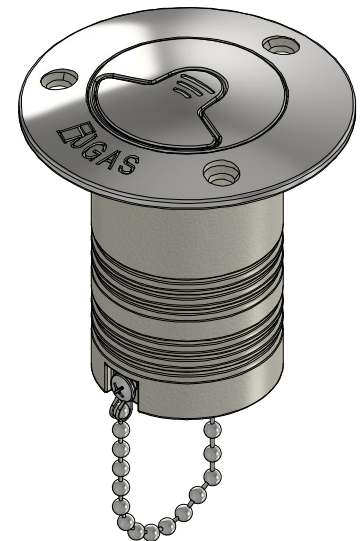



FOR REFERENCE ONLY



SECTION A-A



		WHITE WATER MARINE HARDWARE	
		TITLE FLIP TAB GAS FILL, 2" PART NUMBER: 6007SEU-FT	
PROPRIETARY AND CONFIDENTIAL THE INFORMATION CONTAINED IN THIS DRAWING IS THE SOLE PROPERTY OF WHITE WATER MARINE HARDWARE. ANY REPRODUCTION IN PART OR AS A WHOLE WITHOUT WRITTEN PERMISSION IS PROHIBITED.	SIZE	DRAWING NO.	
	A	WWMH-6007SEU-FT CC	
SCALE	1 : 2	DRAWN	DATE
		KSR	8/23/2023
			REV
			0
			SHEET 1 OF 1