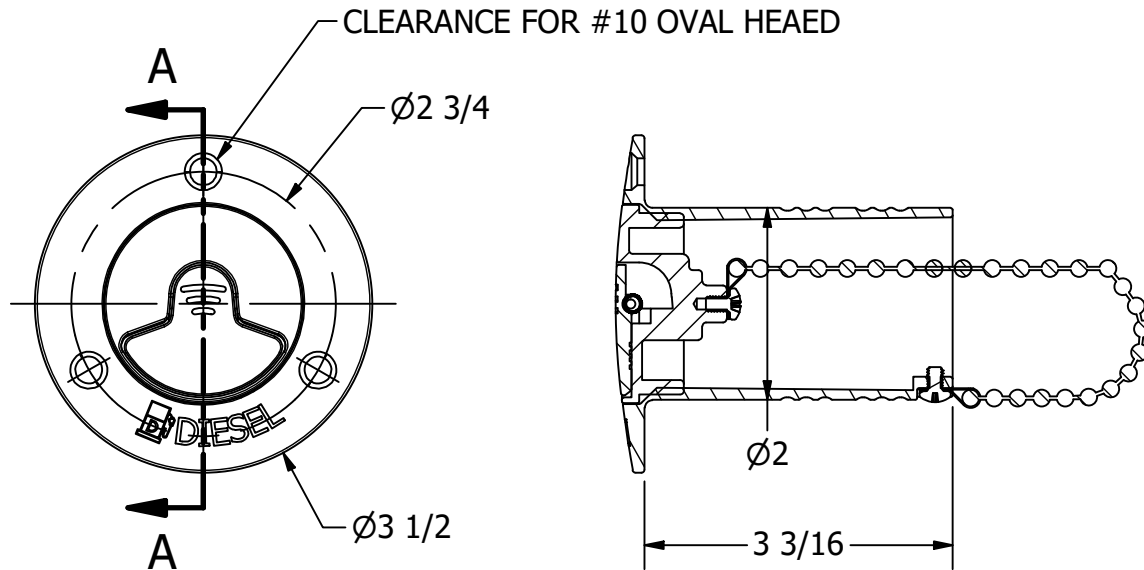


NOTES
 316 STAINLESS STEEL
 HIGH POLISH

FOR REFERENCE ONLY



SECTION A-A

UNLESS OTHERWISE SPECIFIED:
 BREAK ALL SHARP EDGES
 DIMENSIONS ARE IN INCHES
 TOLERANCES:
 FRACTIONAL: $\pm 1/16$
 DECIMAL: X.X $\pm .05$
 X.XX $\pm .03$
 X.XXX $\pm .010$
 ANGULAR: $\pm 3^\circ$
 FINISH: 120Ra

PROPRIETARY AND CONFIDENTIAL
 THE INFORMATION CONTAINED IN THIS
 DRAWING IS THE SOLE PROPERTY OF WHITE
 WATER MARINE HARDWARE. ANY REPRODUCTION
 IN PART OR AS A WHOLE WITHOUT WRITTEN
 PERMISSION IS PROHIBITED.



WHITE WATER
 MARINE HARDWARE

TITLE			
FLIP TAB DIESEL FILL, 2" PART NUMBER: 6008SEU-FT			
SIZE	DRAWING NO.		REV
A	WWMH-6008SEU-FT		0
SCALE	DRAWN	DATE	SHEET 1 OF 1
1/2	RC	10/22/2025	