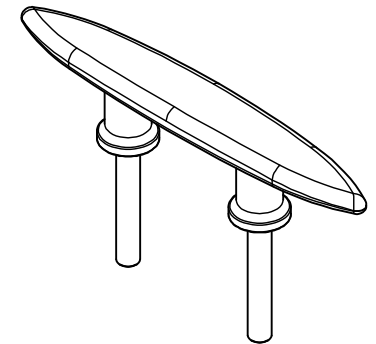
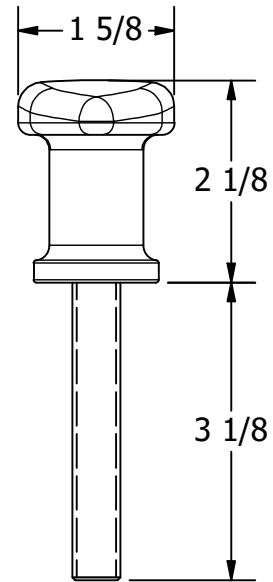
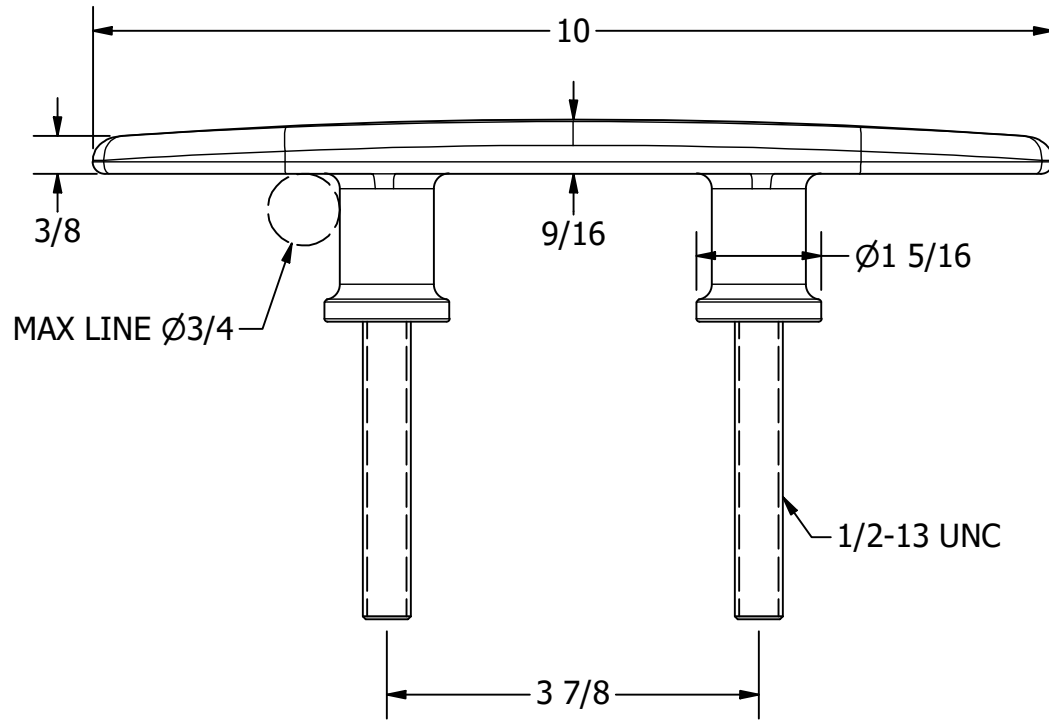



FOR REFERENCE ONLY



SCALE 1 : 4

		WHITE WATER MARINE HARDWARE	
		TITLE HEAVY DUTY STUD CLEAT - 10" PART NUMBER: 6027S	
SIZE A		DWG NO WWMH-6027S CC	REV 0
SCALE 1 : 2	MATERIAL Stainless Steel	SHEET 1 OF 1	