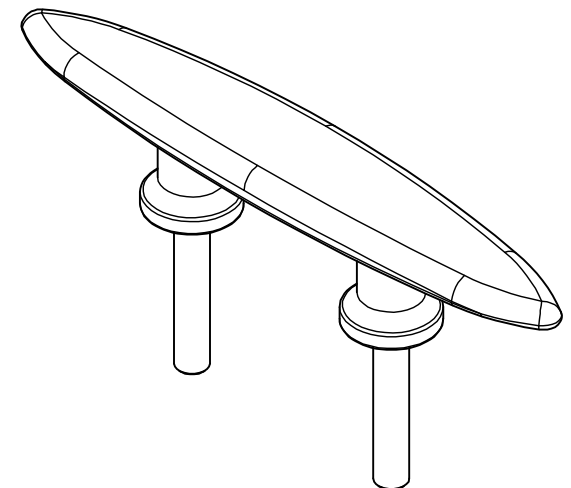
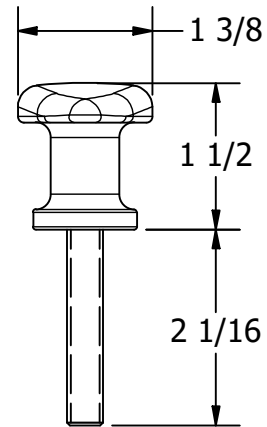
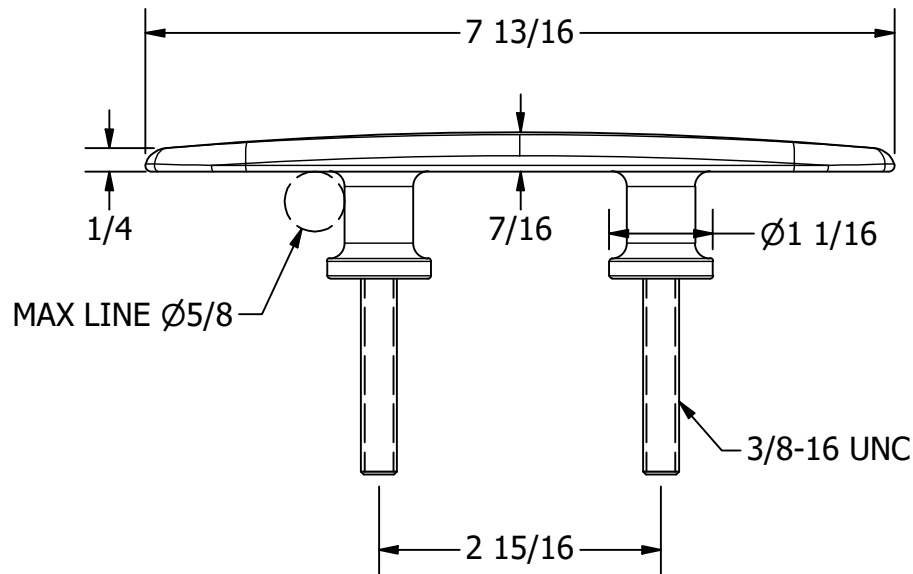



REVISION HISTORY		
REV	DESCRIPTION	DATE
1	SMOOTH HARD EDGES	4/24/23



SCALE 1 : 2

FOR REFERENCE ONLY

		WHITE WATER MARINE HARDWARE	
TITLE			
HEAVY DUTY STUD CLEAT - 8" PART NUMBER: 6026S			
SIZE	DWG NO	REV	
A	WWMH-6026S CC	1	
SCALE	MATERIAL	SHEET 1 OF 1	
1 : 2	Stainless Steel		