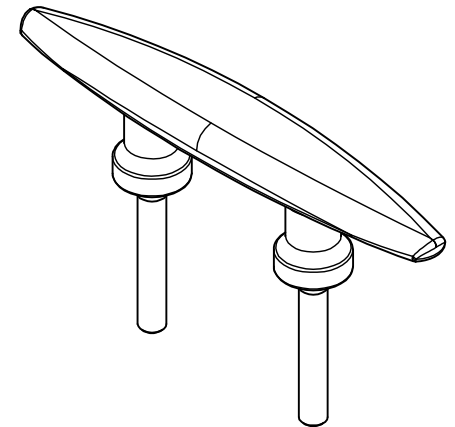
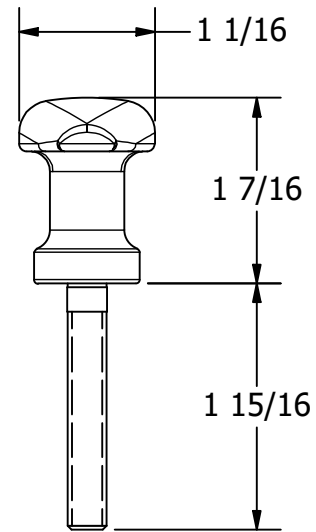
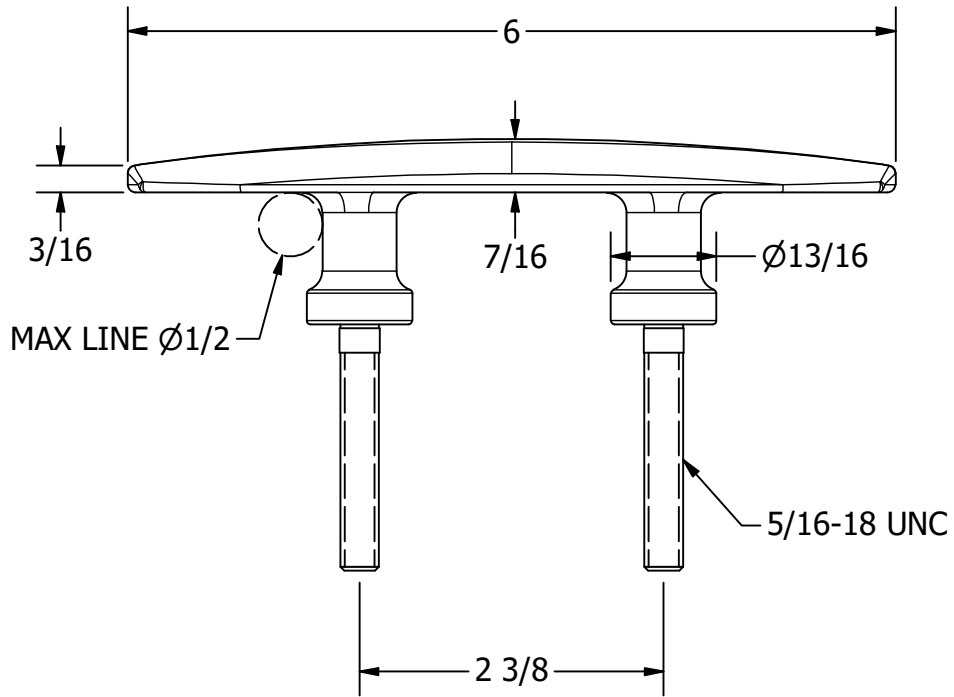



# FOR REFERENCE ONLY



SCALE 1 : 2

		<b>WHITE WATER</b> MARINE HARDWARE	
TITLE			
HEAVY DUTY STUD CLEAT - 6" PART NUMBER: 6025S			
SIZE		DWG NO	REV
A		WWMH-6025S CC	0
SCALE	2 : 3	MATERIAL	SHEET 1 OF 1
		Stainless Steel	