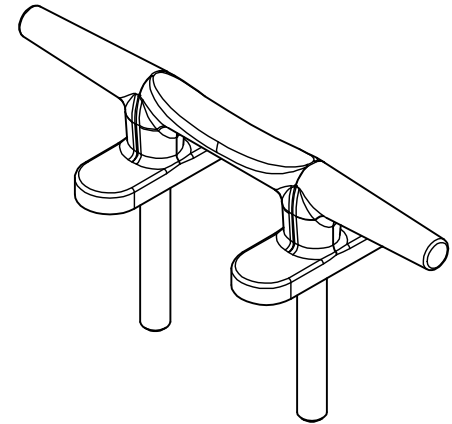
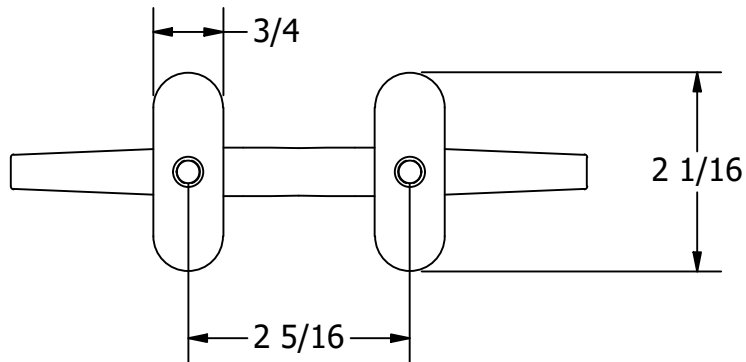
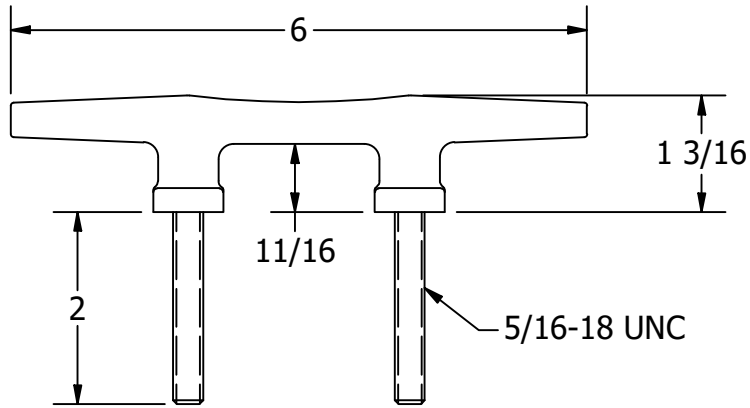



# FOR REFERENCE ONLY



		<b>WHITE WATER</b> MARINE HARDWARE	
TITLE <b>316SS STUDDED HERRESHOFF CLEAT</b> PART NUMBER: 6030SPE			
SIZE <b>A</b>	DWG NO <b>WWMH-6030SPE CC</b>	REV <b>0</b>	
SCALE <b>1 : 2</b>	MATERIAL <b>Stainless Steel</b>	SHEET 1 OF 1	