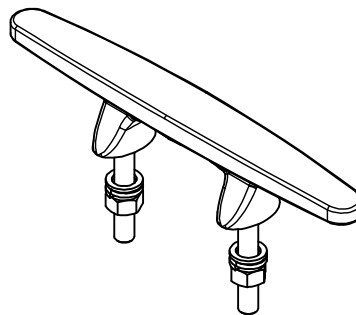
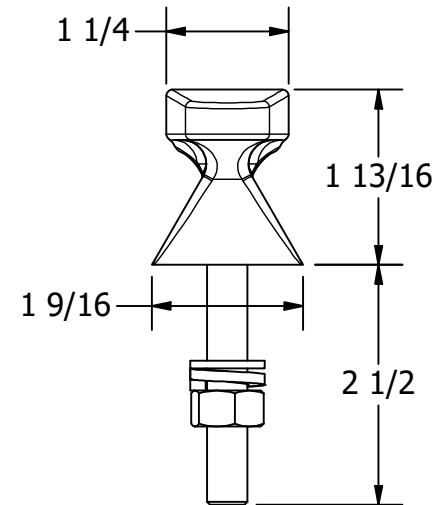
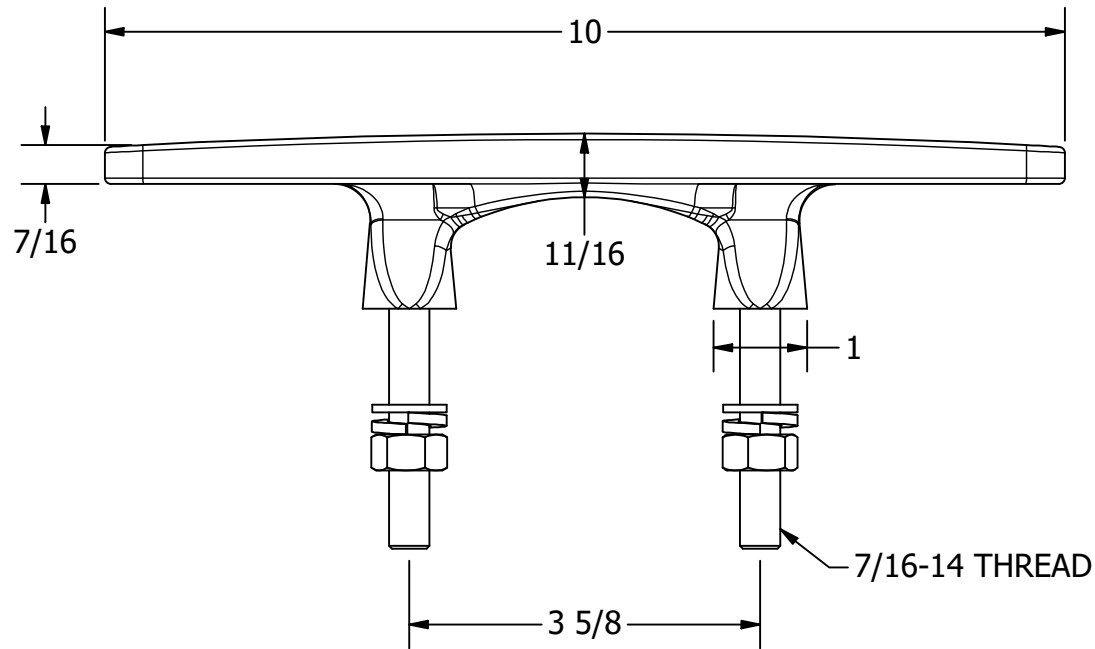



FOR REFERENCE ONLY

REVISION HISTORY		
REV	DESCRIPTION	DATE
1	2-1/2" STUD WAS 2-11/16"	1/23/23



SCALE 1 : 4

		<b>WHITE WATER</b> MARINE HARDWARE	
TITLE			
ARCH CLEAT, 10" PART NUMBER: 6057S			
SIZE	DWG NO	REV	
A	WWMH-6057S CC	1	
SCALE	MATERIAL	SHEET 1 OF 1	
1 : 2			