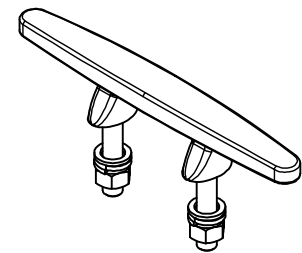
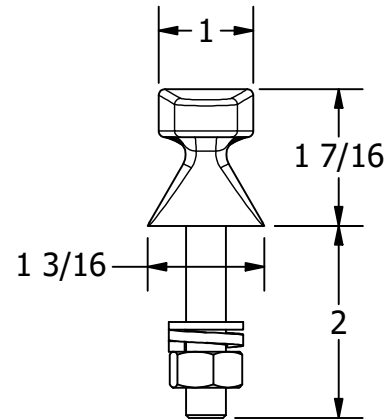
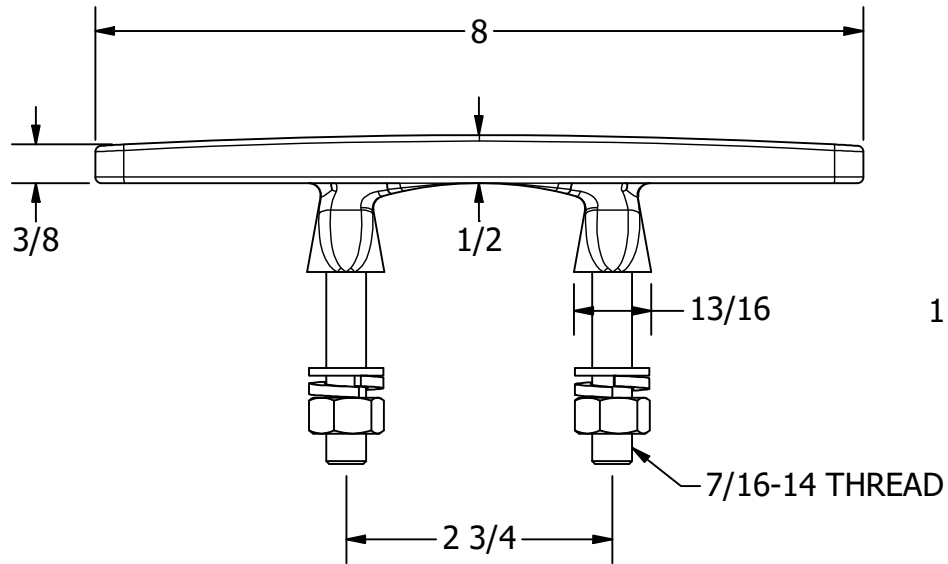



FOR REFERENCE ONLY

REVISION HISTORY		
REV	DESCRIPTION	DATE
1	2" STUD WAS 2-11/16"	1/23/23



SCALE 1 : 4

		WHITE WATER MARINE HARDWARE	
TITLE			
ARCH CLEAT, 8" PART NUMBER: 6056S			
SIZE		DWG NO	REV
A		WWMH-6056S CC	1
SCALE	1 : 2	MATERIAL	SHEET 1 OF 1