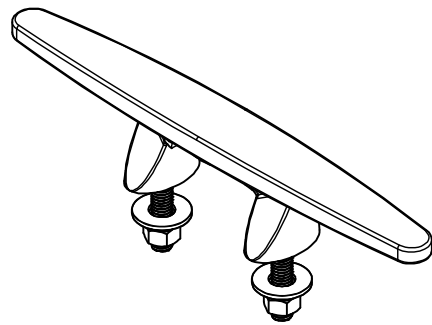
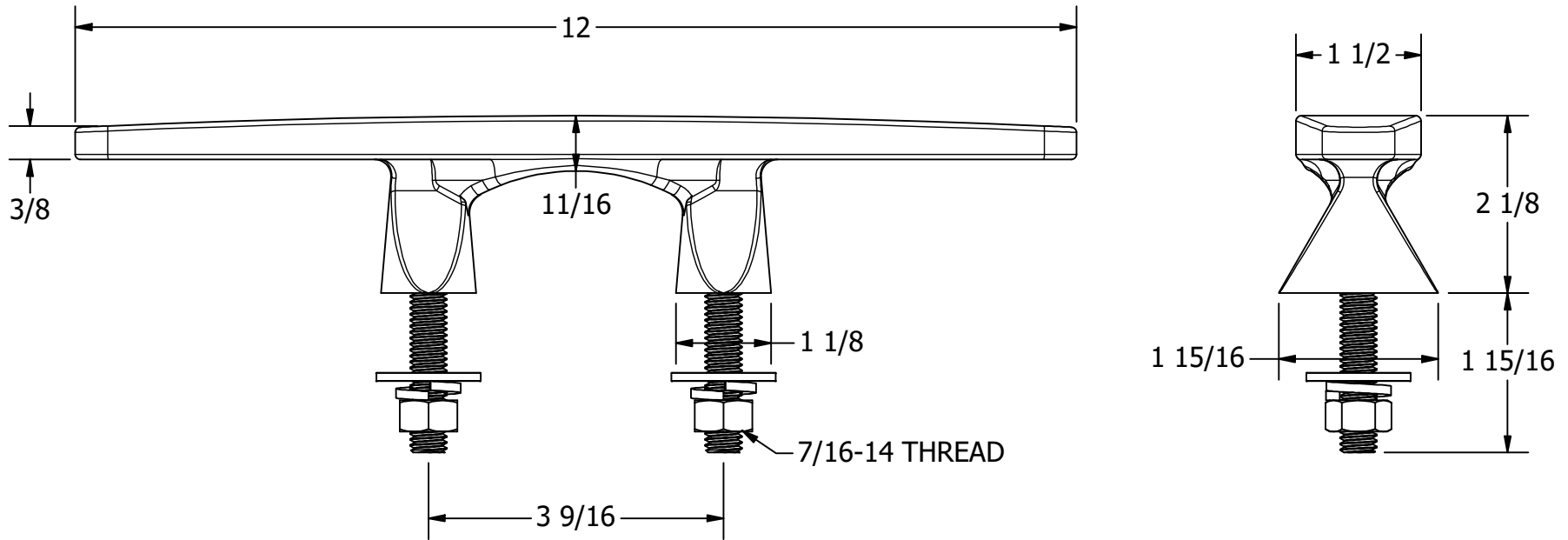


NOTES
 316 STAINLESS STEEL
 MIRROR POLISH FINISH

FOR REFERENCE ONLY



SCALE 1 / 4

UNLESS OTHERWISE SPECIFIED:
 BREAK ALL SHARP EDGES
 DIMENSIONS ARE IN INCHES
 TOLERANCES:
 FRACTIONAL: $\pm 1/16$
 DECIMAL: X.X $\pm .05$
 X.XX $\pm .03$
 X.XXX $\pm .010$
 ANGULAR: $\pm 3^\circ$
 FINISH: 120Ra

PROPRIETARY AND CONFIDENTIAL
 THE INFORMATION CONTAINED IN THIS
 DRAWING IS THE SOLE PROPERTY OF WHITE
 WATER MARINE HARDWARE. ANY REPRODUCTION
 IN PART OR AS A WHOLE WITHOUT WRITTEN
 PERMISSION IS PROHIBITED.



WHITE WATER
 MARINE HARDWARE

TITLE			
ARCH CLEAT, 12"			
PART NUMBER: 6058S-200			
SIZE	DRAWING NO.		REV
A	WWMH-6058S-200		0
SCALE	DRAWN	DATE	SHEET 1 OF 1
1 : 2	RC	4/1/2025	