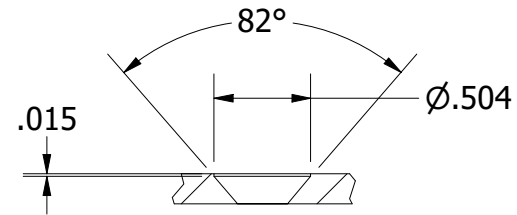
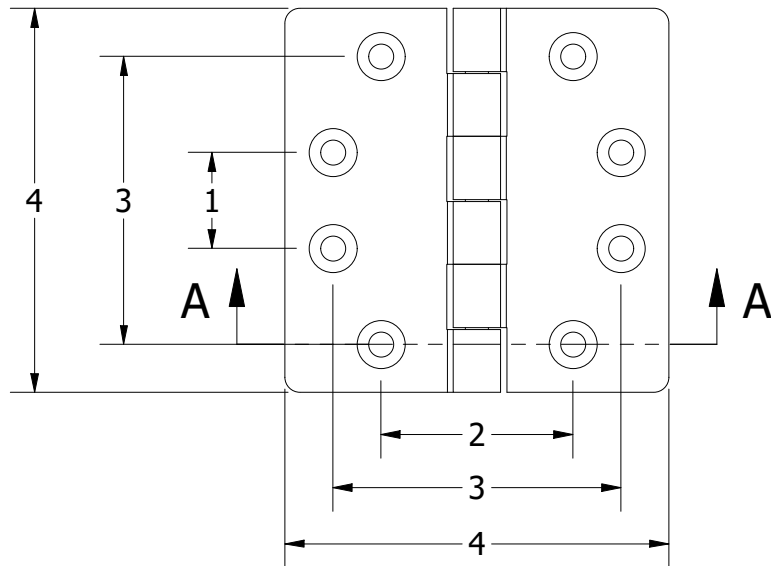
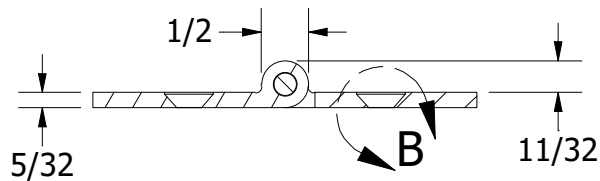
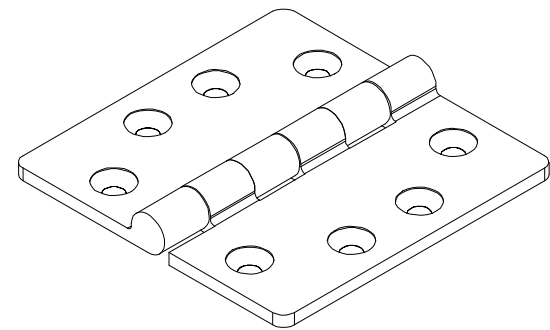


# FOR REFERENCE ONLY



**FASTENER HOLES  
CLEARANCE FOR 1/4" FH  
DETAIL B  
SCALE 1 : 1**



**SECTION A-A**



**WHITE WATER**  
MARINE HARDWARE

TITLE

**CAST BUTT HINGE, 4"  
PART NUMBER: 6117S**

**PROPRIETARY AND CONFIDENTIAL**  
THE INFORMATION CONTAINED IN THIS  
DRAWING IS THE SOLE PROPERTY OF WHITE  
WATER MARINE HARDWARE. ANY REPRODUCTION  
IN PART OR AS A WHOLE WITHOUT WRITTEN  
PERMISSION IS PROHIBITED.

SIZE <b>A</b>	DRAWING NO. <b>WWMH-6117S CC</b>	REV <b>0</b>
SCALE <b>1 : 2</b>	DRAWN <b>KSR</b>	DATE <b>10/19/2023</b>
		SHEET <b>1</b> OF <b>1</b>