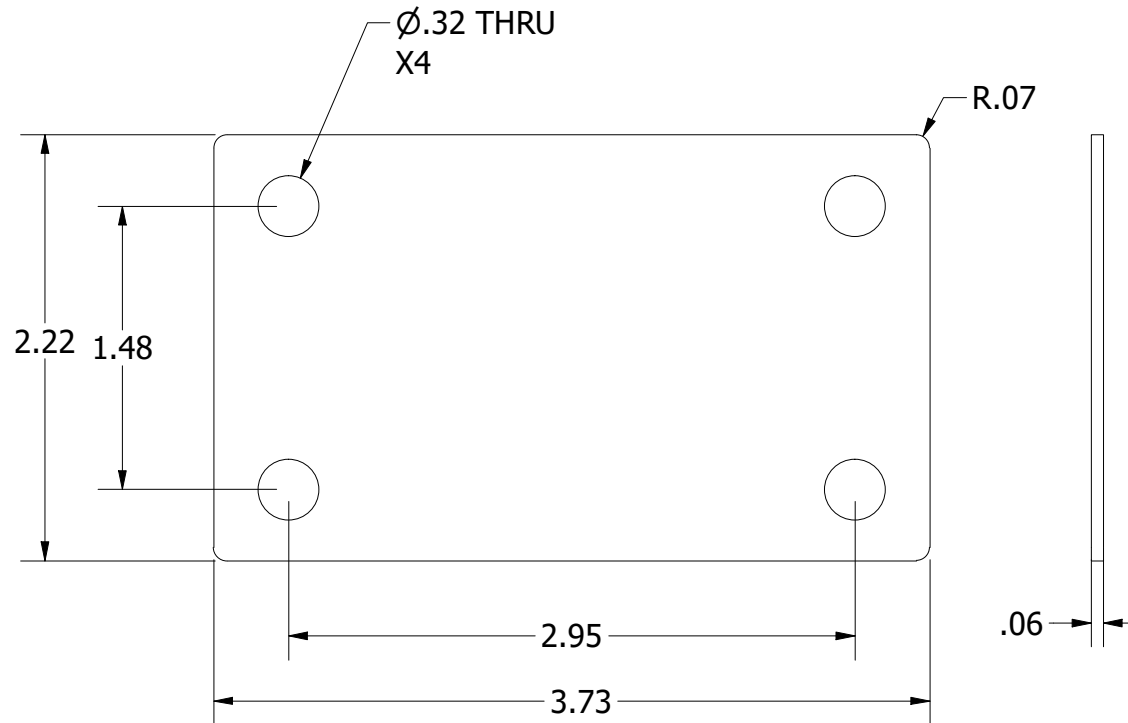


NOTES:

1. MATERIAL: BUNA-N
2. FITS 6520S ANTENNA MOUNT



SCALE 1 : 2

UNLESS OTHERWISE SPECIFIED:
BREAK ALL SHARP EDGES
DIMENSIONS ARE IN INCHES
TOLERANCES:

FRACTIONAL: $\pm 1/16$
DECIMAL: X.X $\pm .05$
 X.XX $\pm .01$
 X.XXX $\pm .005$
ANGULAR: $\pm 1^\circ$
FINISH: 120Ra

PROPRIETARY AND CONFIDENTIAL
THE INFORMATION CONTAINED IN THIS
DRAWING IS THE SOLE PROPERTY OF WHITE
WATER MARINE HARDWARE. ANY REPRODUCTION
IN PART OR AS A WHOLE WITHOUT WRITTEN
PERMISSION IS PROHIBITED.



WHITE WATER
MARINE HARDWARE

TITLE

ANTENNA MOUNT GASKET
PART NUMBER: 6520S-GSK (RD168)

SIZE A	DRAWING NO. WWWMH-6520S-GSK	REV 0
SCALE 1 : 1	DRAWN KSR	DATE 4/24/2024
		SHEET 1 OF 1