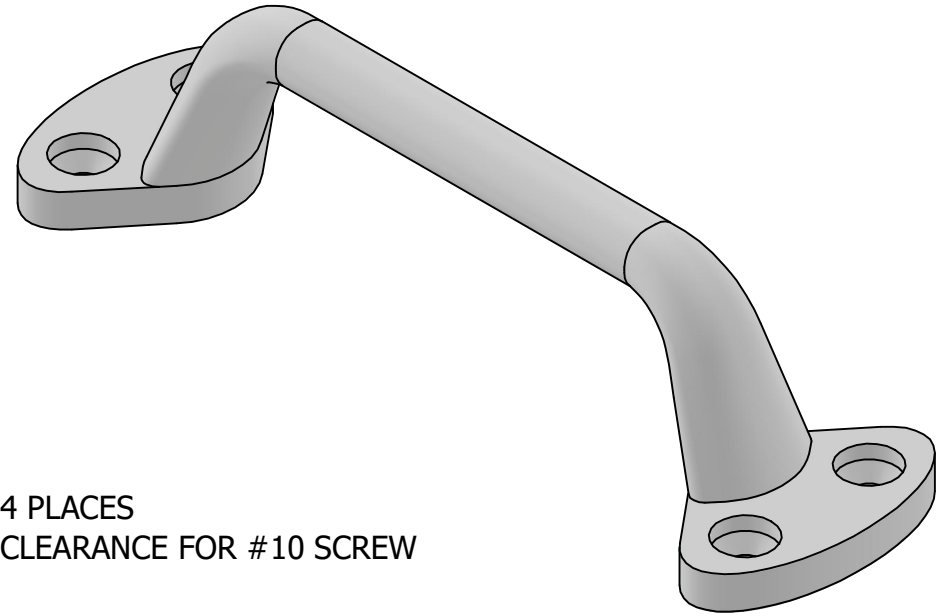
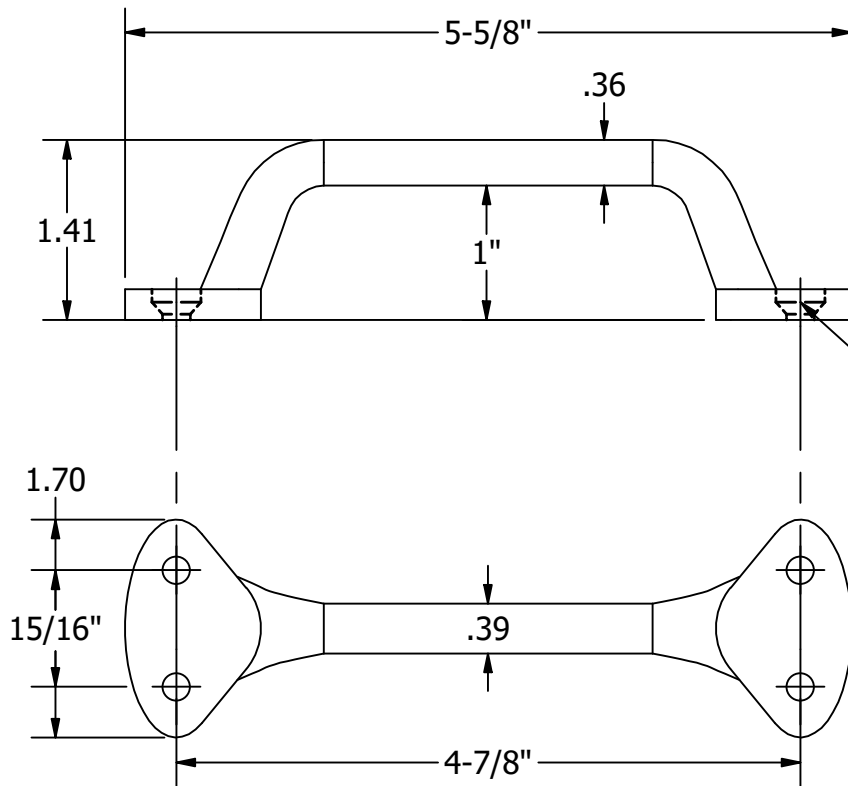


# FOR REFERENCE ONLY



4 PLACES  
CLEARANCE FOR #10 SCREW



UNLESS OTHERWISE SPECIFIED:  
 BREAK ALL SHARP EDGES  
 DIMENSIONS ARE IN INCHES  
 TOLERANCES:  
 FRACTIONAL:  $\pm 1/16$   
 DECIMAL: X.X  $\pm .05$   
           X.XX  $\pm .01$   
           X.XXX  $\pm .005$   
 ANGULAR:  $\pm 1^\circ$   
 FINISH: 120Ra



**WHITE WATER**  
 MARINE HARDWARE

TITLE  
 316 SS Lift Handle, 5-5/8"  
 PART NUMBER: 6539S

**PROPRIETARY AND CONFIDENTIAL**  
 THE INFORMATION CONTAINED IN THIS  
 DRAWING IS THE SOLE PROPERTY OF WHITE  
 WATER MARINE HARDWARE. ANY REPRODUCTION  
 IN PART OR AS A WHOLE WITHOUT WRITTEN  
 PERMISSION IS PROHIBITED.

SIZE A	DRAWING NO. WWMH-6539S CC	REV 0
SCALE 1 / 1.5	DRAWN JVT	DATE 5/23/2024
		SHEET 1 OF 1