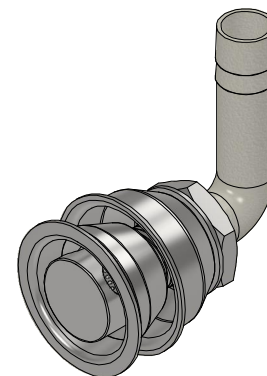
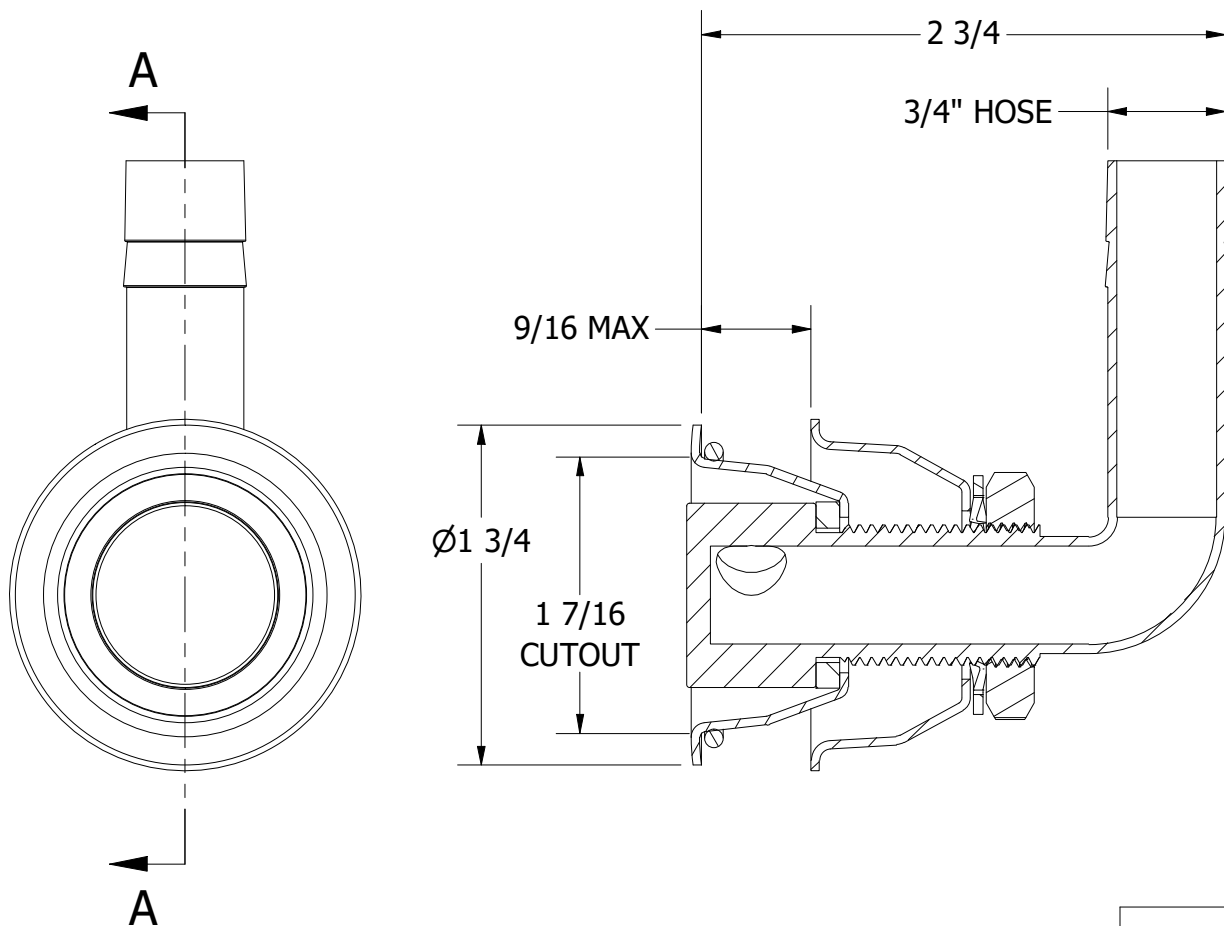


# FOR REFERENCE ONLY



SCALE 1 : 2

## SECTION A-A



**WHITE WATER**  
MARINE HARDWARE

TITLE  
**FLUSH MOUNT TANK VENT, 5/8", 90DEG, DOWN**  
**PART NUMBER: 6602SCAP**

**PROPRIETARY AND CONFIDENTIAL**  
 THE INFORMATION CONTAINED IN THIS  
 DRAWING IS THE SOLE PROPERTY OF WHITE  
 WATER MARINE HARDWARE. ANY REPRODUCTION  
 IN PART OR AS A WHOLE WITHOUT WRITTEN  
 PERMISSION IS PROHIBITED.

SIZE <b>A</b>	DRAWING NO. <b>WWMH-6602SCAP CC</b>	REV <b>0</b>
SCALE <b>1 : 1</b>	DRAWN <b>KSR</b>	DATE <b>8/29/2023</b>
		SHEET <b>1</b> OF <b>1</b>