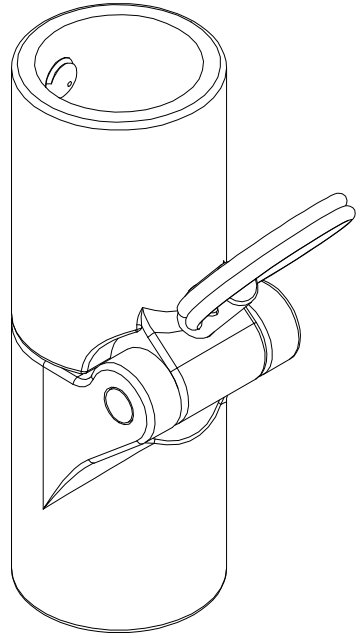
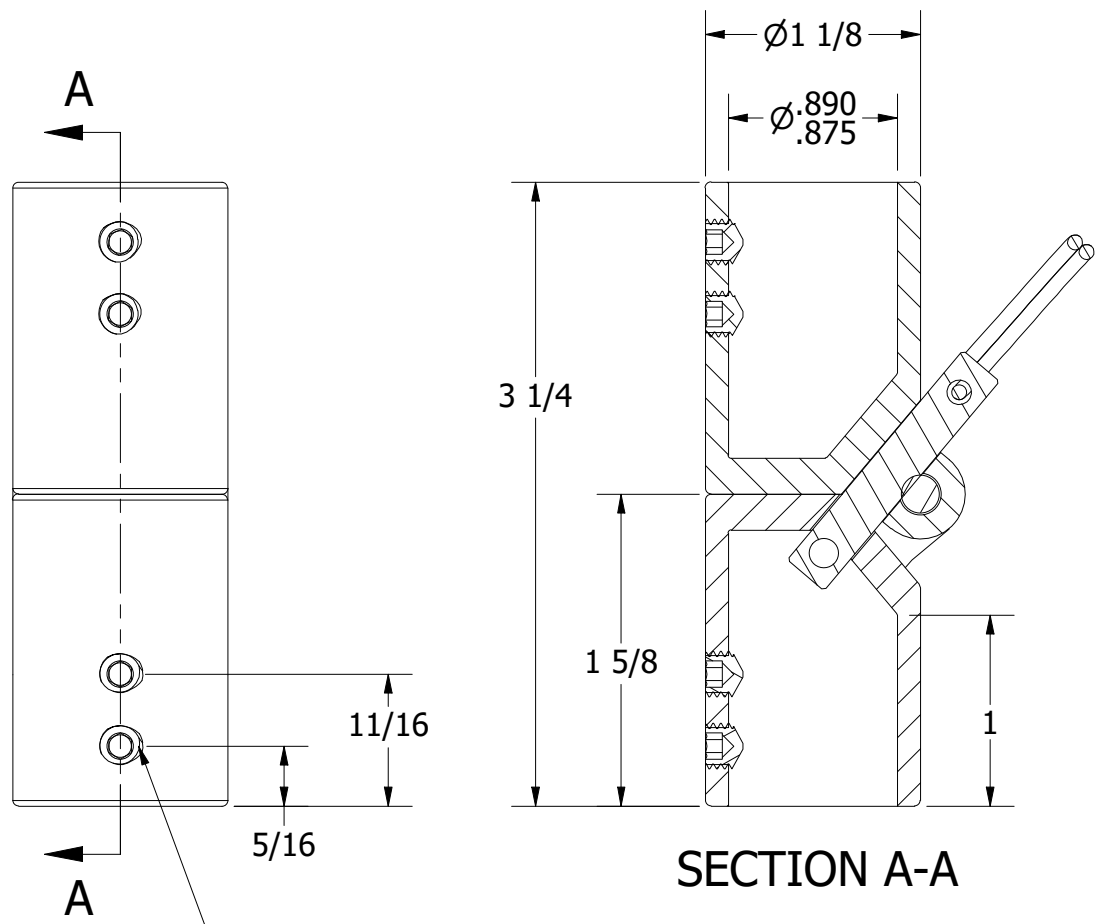


REVISION HISTORY		
REV	DESCRIPTION	DATE
1	5/16 WAS 7/16, 3-1/4 WAS 2-15/16, ECN1048	9/15/25



M6X1 X 5mm  
SET SCREW  
X4

**SECTION A-A**

UNLESS OTHERWISE SPECIFIED:  
BREAK ALL SHARP EDGES  
DIMENSIONS ARE IN INCHES  
TOLERANCES:  
FRACTIONAL:  $\pm 1/16$   
DECIMAL: X.X  $\pm .05$   
          X.XX  $\pm .01$   
          X.XXX  $\pm .005$   
ANGULAR:  $\pm 1^\circ$   
FINISH: 120Ra

**PROPRIETARY AND CONFIDENTIAL**  
THE INFORMATION CONTAINED IN THIS  
DRAWING IS THE SOLE PROPERTY OF WHITE  
WATER MARINE HARDWARE. ANY REPRODUCTION  
IN PART OR AS A WHOLE WITHOUT WRITTEN  
PERMISSION IS PROHIBITED.



**WHITE WATER**  
MARINE HARDWARE

TITLE  
**7/8" QUICK RELEASE TUBE CONNECTOR**  
**PART NUMBER: 6812SEU**

SIZE <b>A</b>	DRAWING NO. <b>WWMH-6812SEU</b>	REV <b>1</b>
SCALE <b>1 : 1</b>	DRAWN <b>KSR</b>	DATE <b>12/15/2023</b>
		SHEET <b>1</b> OF <b>1</b>