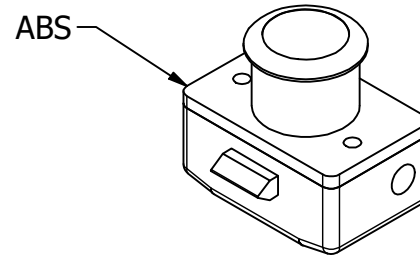
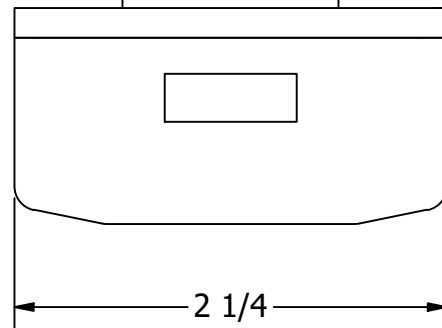
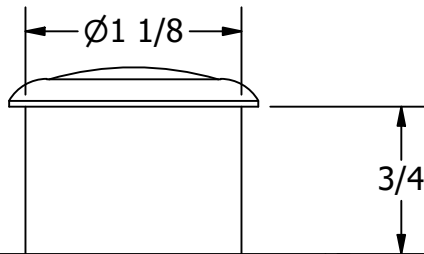
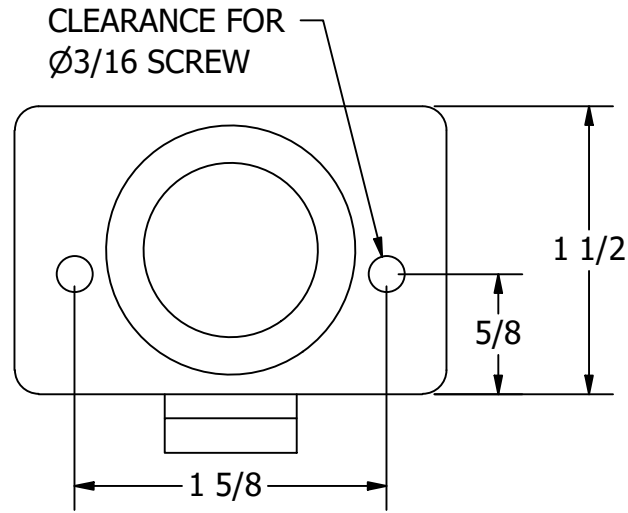
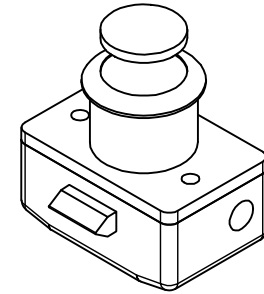


TABLE	
PART NO	COLOR
7100S	SILVER
7100G	GOLD

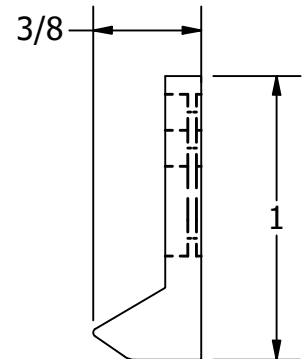
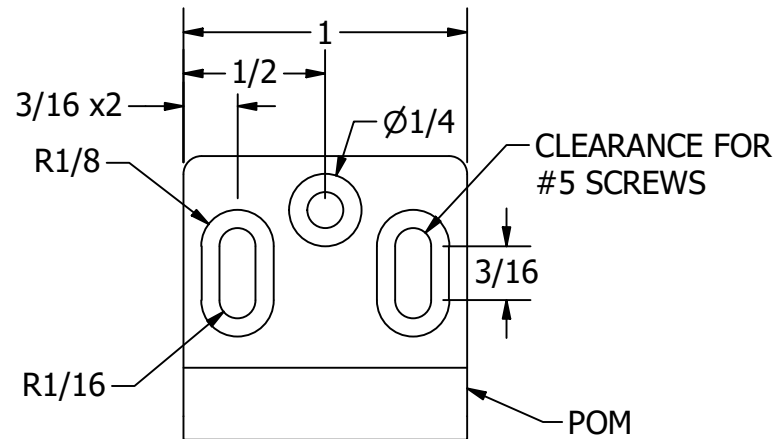
FOR REFERENCE ONLY



LOCKED VIEW
SCALE 1/2



UNLOCKED VIEW
SCALE 1/2



UNLESS OTHERWISE SPECIFIED:
BREAK ALL SHARP EDGES
DIMENSIONS ARE IN INCHES
TOLERANCES:
FRACTIONAL: $\pm 1/16$
DECIMAL: $X.X \pm .05$
 $X.XX \pm .01$
 $X.XXX \pm .005$
ANGULAR: $\pm 1^\circ$
FINISH: 120Ra

PROPRIETARY AND CONFIDENTIAL
THE INFORMATION CONTAINED IN THIS
DRAWING IS THE SOLE PROPERTY OF WHITE
WATER MARINE HARDWARE. ANY REPRODUCTION
IN PART OR AS A WHOLE WITHOUT WRITTEN
PERMISSION IS PROHIBITED.



WHITE WATER
MARINE HARDWARE

TITLE
ROUND PUSH BUTTON CABINET LATCH
PART NUMBER: SEE TABLE

SIZE A	DRAWING NO. WWMH-7100	REV 0
SCALE 1 : 1	DRAWN RC	DATE 8/27/2024
		SHEET 1 OF 1