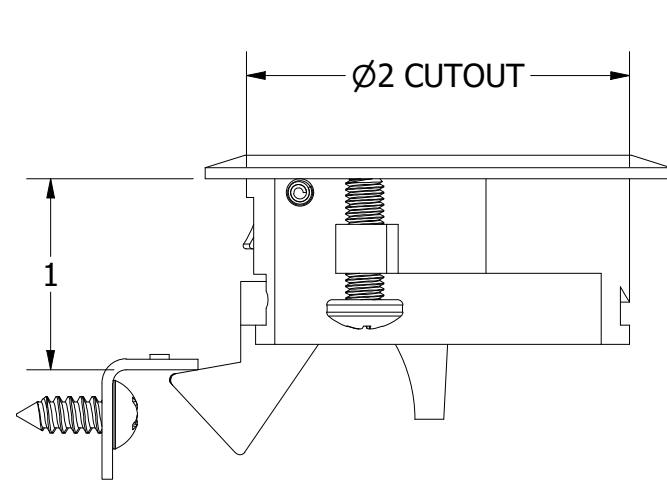


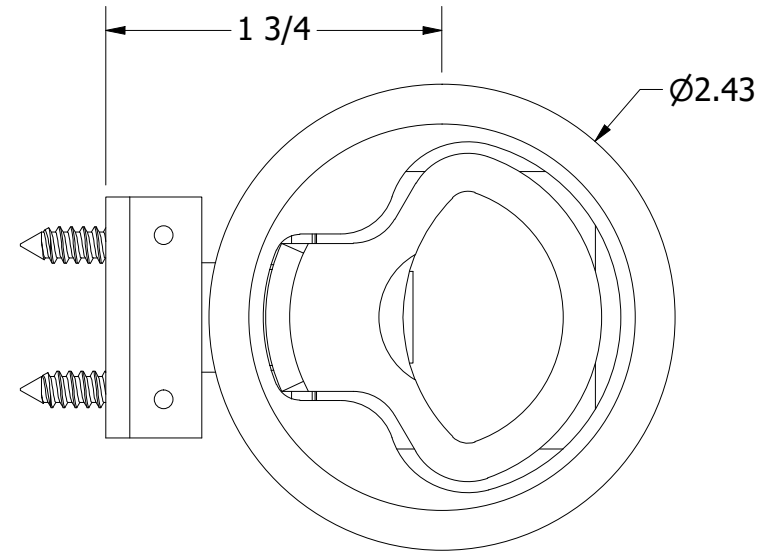
NOTES:

1. MATERIAL: 316SS
2. FINISH: MIRROR POLISH

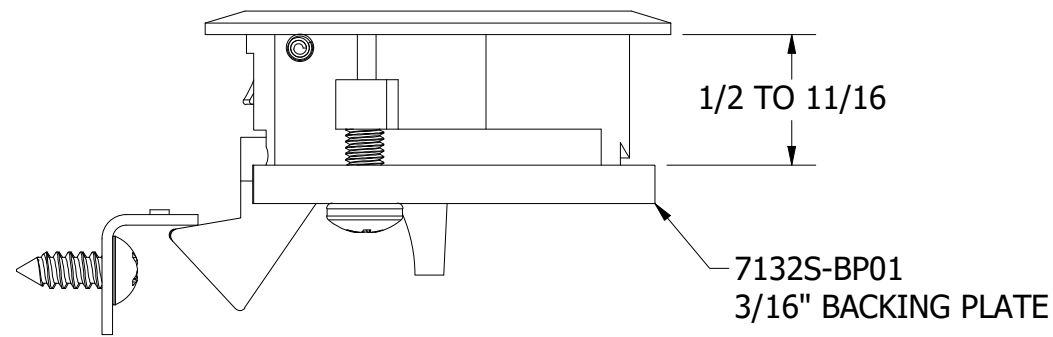
REVISION HISTORY		
REV	DESCRIPTION	DATE
1	ADD TABLE WITH PART NUMBERS, ECN1042	8/28/25



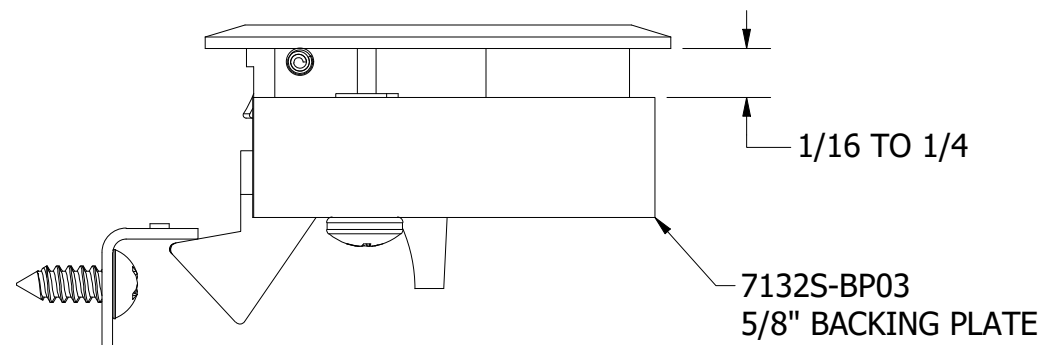
7132S-00



# 7132S - XX

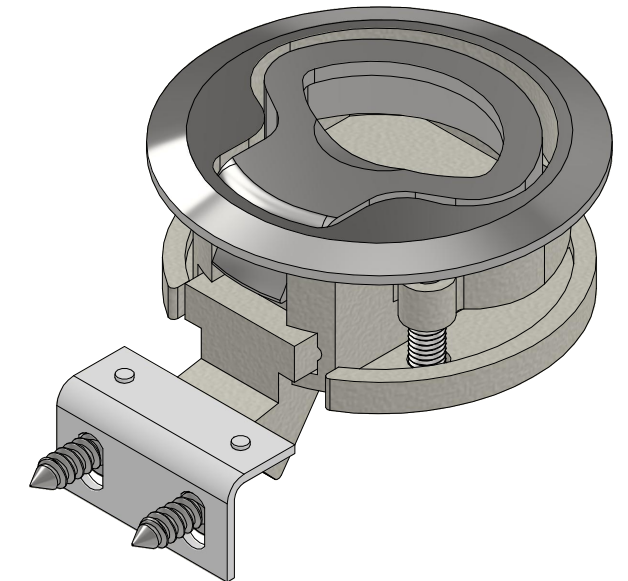


7132S-01



7132S-03

OPTION 'XX' - LID GRIP
00 - NO BACKING PLATE
01 - 1/2" TO 3/4" LID GRIP
02 - N/A
03 - 1/16" TO 1/4" LID GRIP



UNLESS OTHERWISE SPECIFIED:  
 BREAK ALL SHARP EDGES  
 DIMENSIONS ARE IN INCHES  
 TOLERANCES:  
 FRACTIONAL: ± 1/16  
 DECIMAL: X.X ± .05  
           X.XX ± .03  
           X.XXX ± .010  
 ANGULAR: ± 3°  
 FINISH: 120Ra

**PROPRIETARY AND CONFIDENTIAL**  
 THE INFORMATION CONTAINED IN THIS  
 DRAWING IS THE SOLE PROPERTY OF WHITE  
 WATER MARINE HARDWARE. ANY REPRODUCTION  
 IN PART OR AS A WHOLE WITHOUT WRITTEN  
 PERMISSION IS PROHIBITED.



**WHITE WATER**  
 MARINE HARDWARE

TITLE  
**ROUND SLAM LATCH WITH EGRESS LEVER**  
 PART NUMBER: SEE TABLE

SIZE <b>B</b>	DRAWING NO. <b>WWMH-7132S</b>	REV <b>1</b>
SCALE <b>1 : 1</b>	DRAWN <b>KSR</b>	DATE <b>6/20/2025</b>
		SHEET <b>1</b> OF <b>1</b>