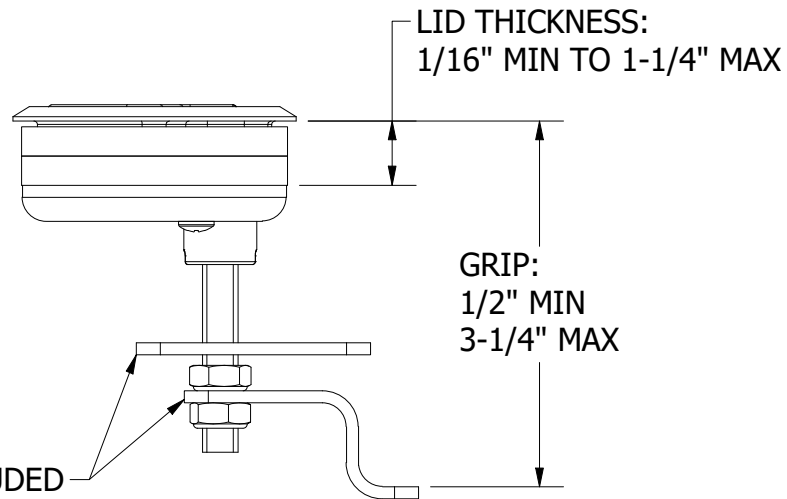
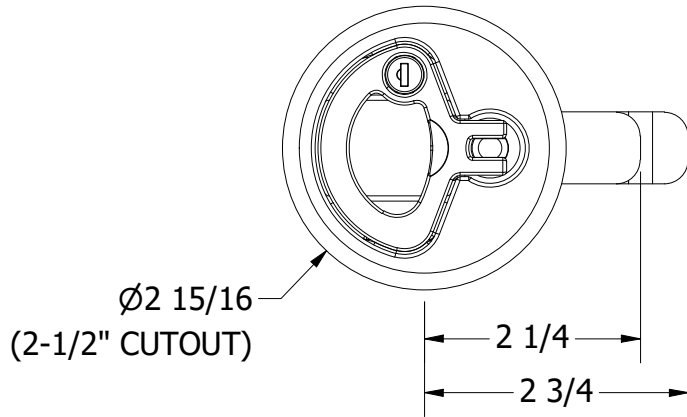
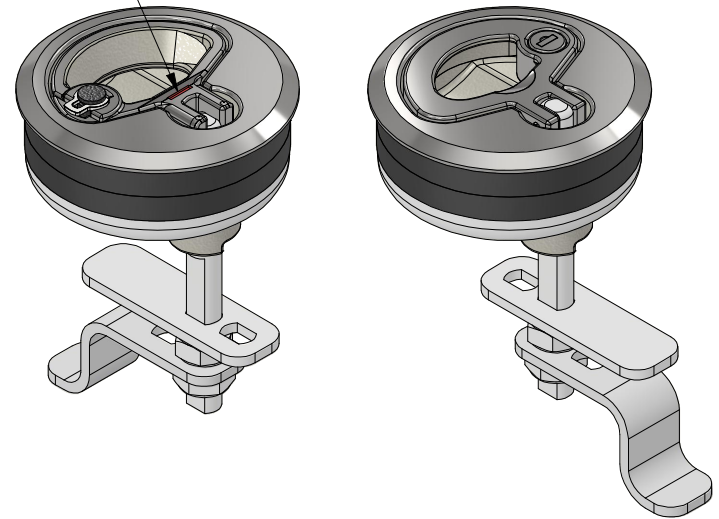


NOTES:

1. MATERIAL: 316SS
2. FINISH: MIRROR POLISH



UNLATCHED POSITION
PAINTED RED



REVISION HISTORY

REV	DESCRIPTION	DATE
1	FILL HANDLE GRIP	10/27/21
2	FILL CAVITY IN HANDLE RECESS, SHORTEN LIMIT PIN, ECN1037	6/16/25
3	POLISH UNDERSIDE HANDLE, ADD RED INDICATOR, ECN1045	9/9/25



WHITE WATER
MARINE HARDWARE

TITLE
2-1/2" ROUND COMPRESSION LATCH
PART NUMBER: 7155SLK

PROPRIETARY AND CONFIDENTIAL
THE INFORMATION CONTAINED IN THIS
DRAWING IS THE SOLE PROPERTY OF WHITE
WATER MARINE HARDWARE. ANY REPRODUCTION
IN PART OR AS A WHOLE WITHOUT WRITTEN
PERMISSION IS PROHIBITED.

SIZE A	DRAWING NO. WWMH-7155SLK CC	REV 3
SCALE 1 : 2	DRAWN KSR	DATE 10/27/2021
		SHEET 1 OF 1