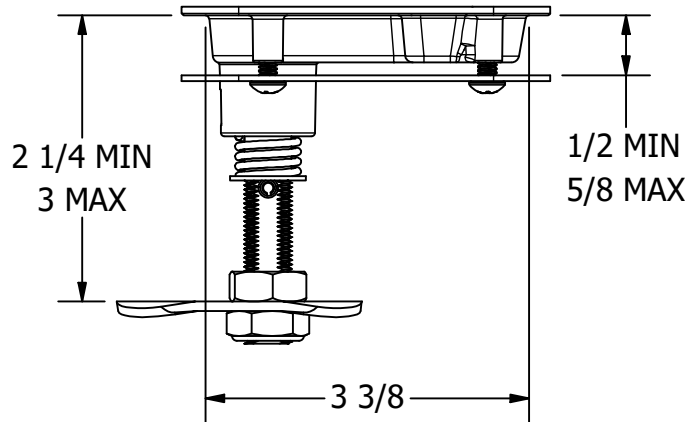
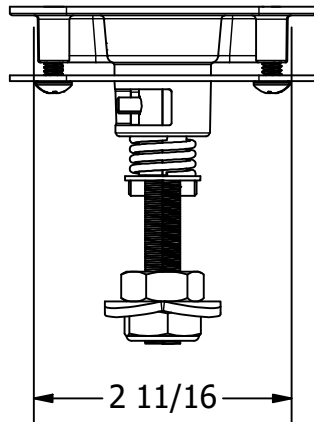
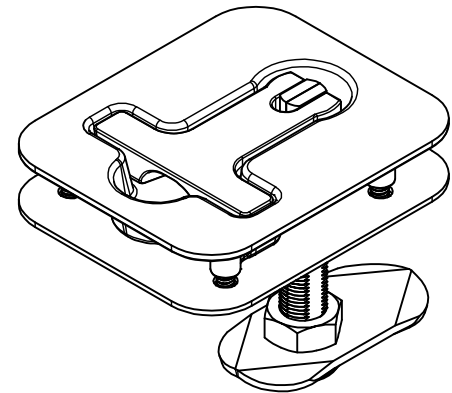
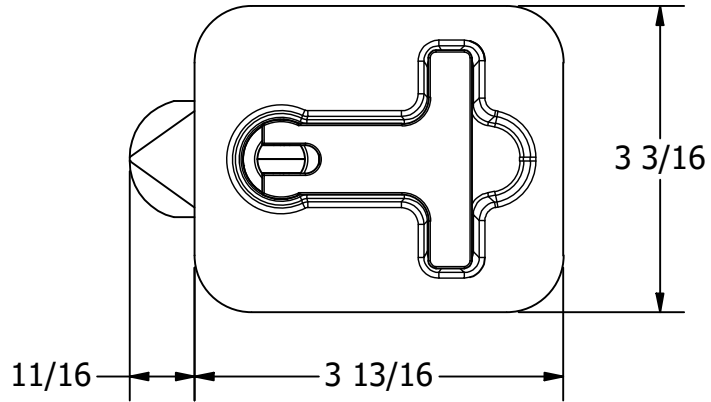


FOR REFERENCE ONLY



		WHITE WATER MARINE HARDWARE	
		TITLE T-HANDLE COMPRESSION LATCH PART NUMBER: 7176S	
SIZE A		DWG NO WWMH-7176S CC	REV 0
SCALE 1 : 2	MATERIAL	SHEET 1 OF 1	