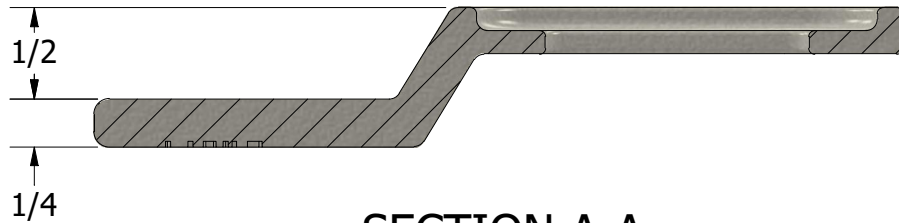
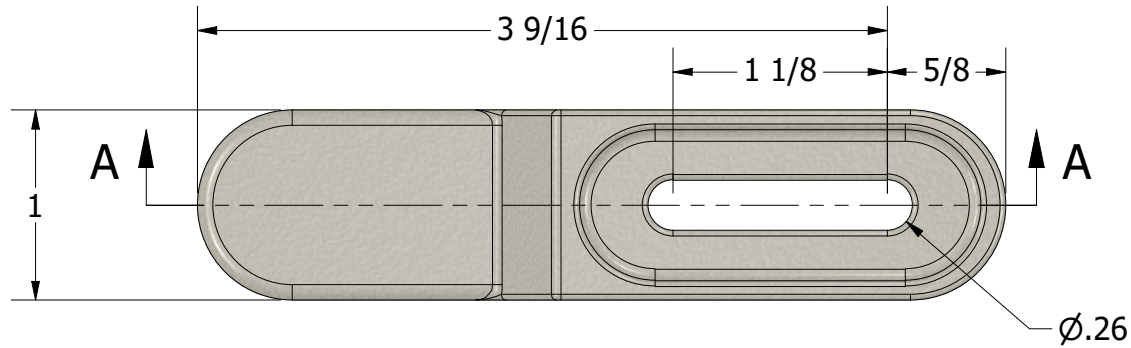



NOTES:

1. MATERIAL: 316SS
2. FINISH: AS CAST
3. FITS 7155S



SECTION A-A

		WHITE WATER MARINE HARDWARE	
		TITLE ADJUSTABLE OFFSET LATCH CAM, 0.26" WIDE SLOT PART NUMBER: 7184S	
SIZE A	DRAWING NO. WWMH-7184S		REV 0
SCALE 1 : 1	DRAWN KSR	DATE 5/3/2024	SHEET 1 OF 1

PROPRIETARY AND CONFIDENTIAL
 THE INFORMATION CONTAINED IN THIS DRAWING IS THE SOLE PROPERTY OF WHITE WATER MARINE HARDWARE. ANY REPRODUCTION IN PART OR AS A WHOLE WITHOUT WRITTEN PERMISSION IS PROHIBITED.