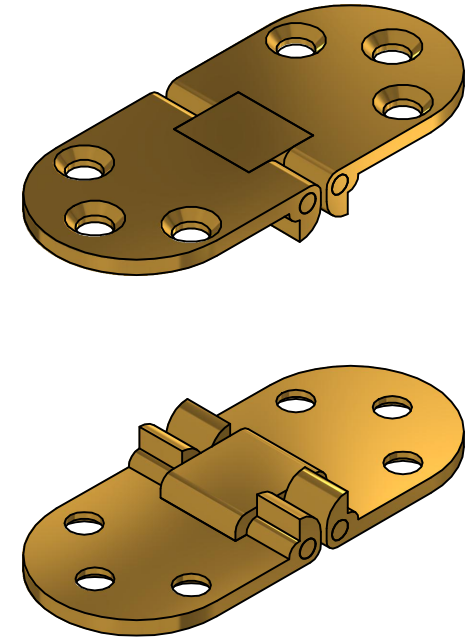
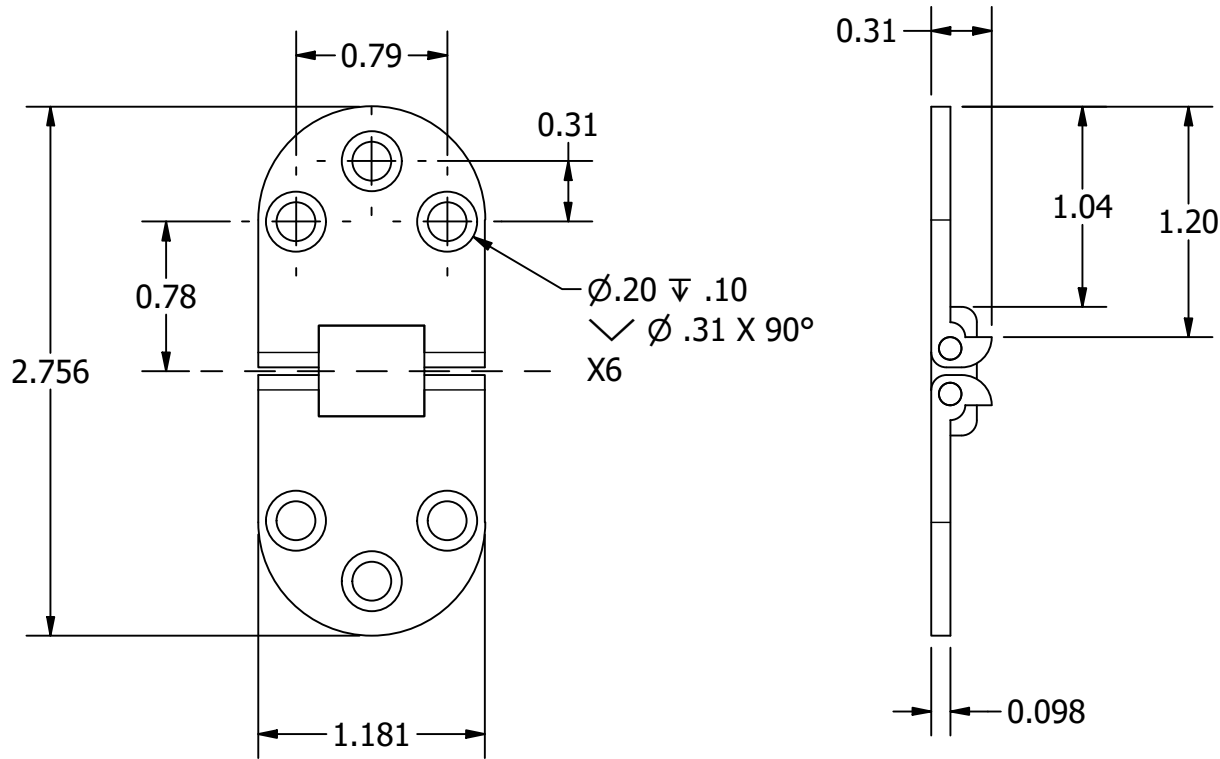


NOTE:  
SOLD BY THE PAIR

REVISION HISTORY		
REV	DESCRIPTION	DATE
1	2.756" LENGTH WAS 2.815" ECN1032	1/31/25



UNLESS OTHERWISE SPECIFIED:  
BREAK ALL SHARP EDGES  
DIMENSIONS ARE IN INCHES  
TOLERANCES:  
FRACTIONAL:  $\pm 1/16$   
DECIMAL: X.X  $\pm .05$   
          X.XX  $\pm .03$   
          X.XXX  $\pm .01$   
ANGULAR:  $\pm 1^\circ$   
FINISH: 120Ra



**WHITE WATER**  
MARINE HARDWARE

TITLE  
**SOLID BRASS FOLDING TABLE HINGES**  
PART NUMBER: 7714B

**FOR REFERENCE ONLY**

**PROPRIETARY AND CONFIDENTIAL**  
THE INFORMATION CONTAINED IN THIS  
DRAWING IS THE SOLE PROPERTY OF WHITE  
WATER MARINE HARDWARE. ANY REPRODUCTION  
IN PART OR AS A WHOLE WITHOUT WRITTEN  
PERMISSION IS PROHIBITED.

SIZE <b>A</b>	DRAWING NO. <b>WWMH-7714B</b>	REV <b>1</b>
SCALE <b>1 : 1</b>	DRAWN <b>RC</b>	DATE <b>1/15/2025</b>
SHEET <b>1</b> OF <b>1</b>		