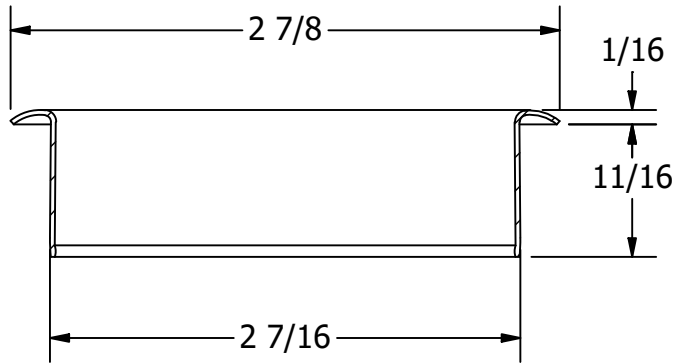
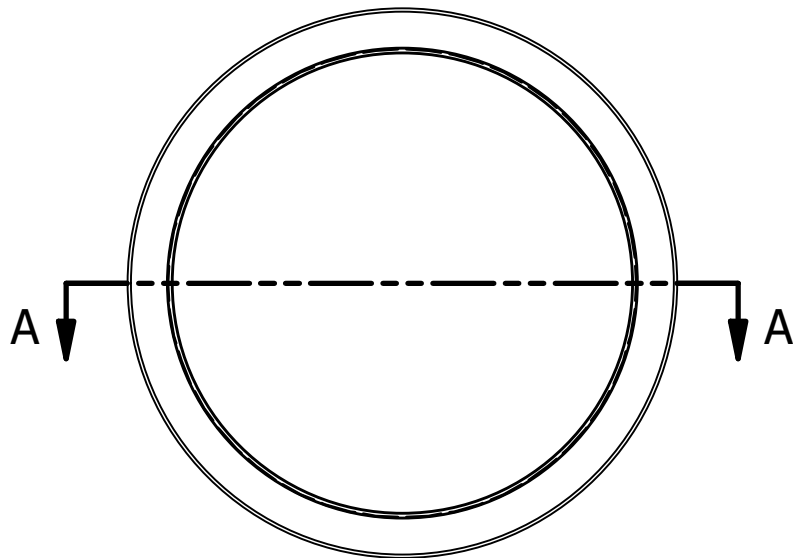
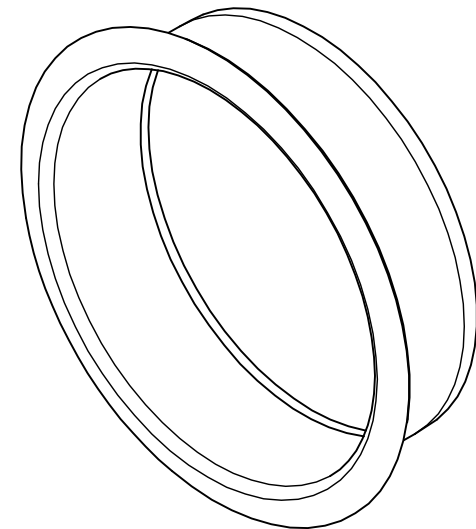


FOR REFERENCE ONLY



SECTION A-A



		WHITE WATER MARINE HARDWARE	
		TITLE TRIM RING - 2-1/2" PART NUMBER: 7781S	
SIZE A	DWG NO WWMH-7781S CC	REV 0	
SCALE 1 : 1	MATERIAL Stainless Steel	SHEET 1 OF 1	