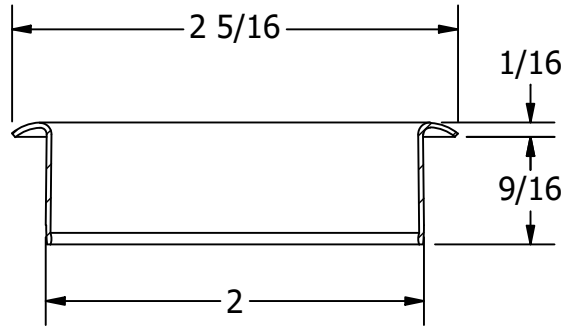
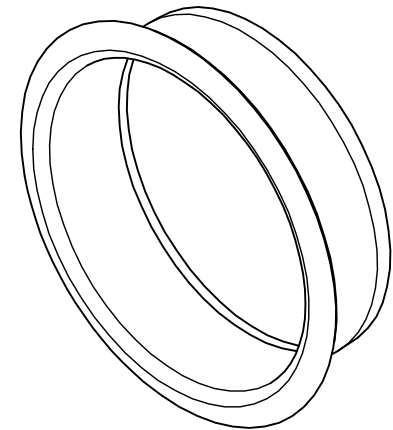
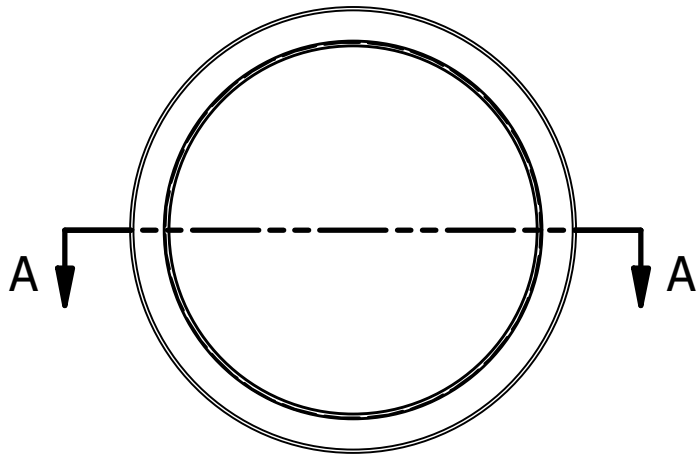


# FOR REFERENCE ONLY



SECTION A-A



		<b>WHITE WATER</b> MARINE HARDWARE	
TITLE			
TRIM RING - 2"			
PART NUMBER: 7780S			
SIZE		DWG NO	REV
A		WWMH-7780S CC	0
SCALE	1 : 1	MATERIAL	SHEET 1 OF 1
		Stainless Steel	