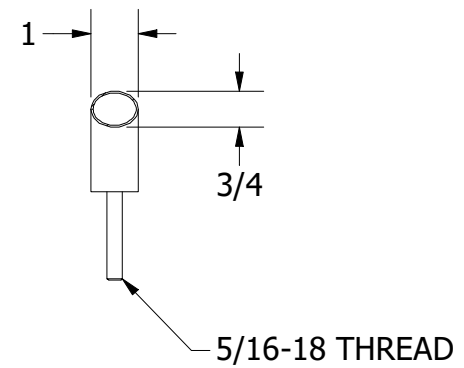
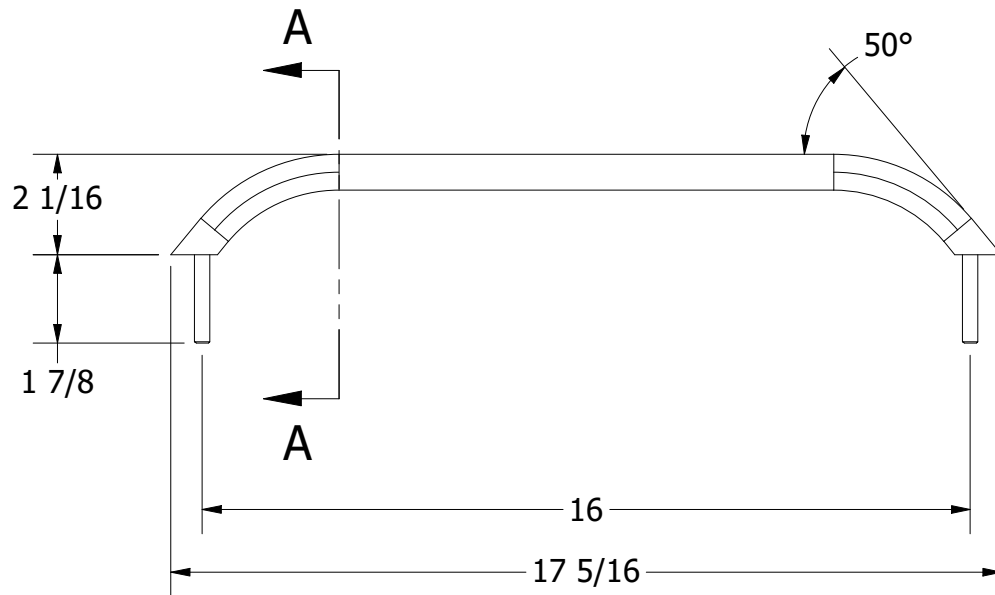


FOR REFERENCE ONLY



SECTION A-A



WHITE WATER
MARINE HARDWARE

TITLE
OVAL GRAB RAIL - 17-1/4"
PART NUMBER: 7872S

PROPRIETARY AND CONFIDENTIAL
 THE INFORMATION CONTAINED IN THIS
 DRAWING IS THE SOLE PROPERTY OF WHITE
 WATER MARINE HARDWARE. ANY REPRODUCTION
 IN PART OR AS A WHOLE WITHOUT WRITTEN
 PERMISSION IS PROHIBITED.

SIZE A	DRAWING NO. WWMH-7872S CC	REV 0
SCALE 1 : 4	DRAWN KSR	DATE 12/8/2023
		SHEET 1 OF 1