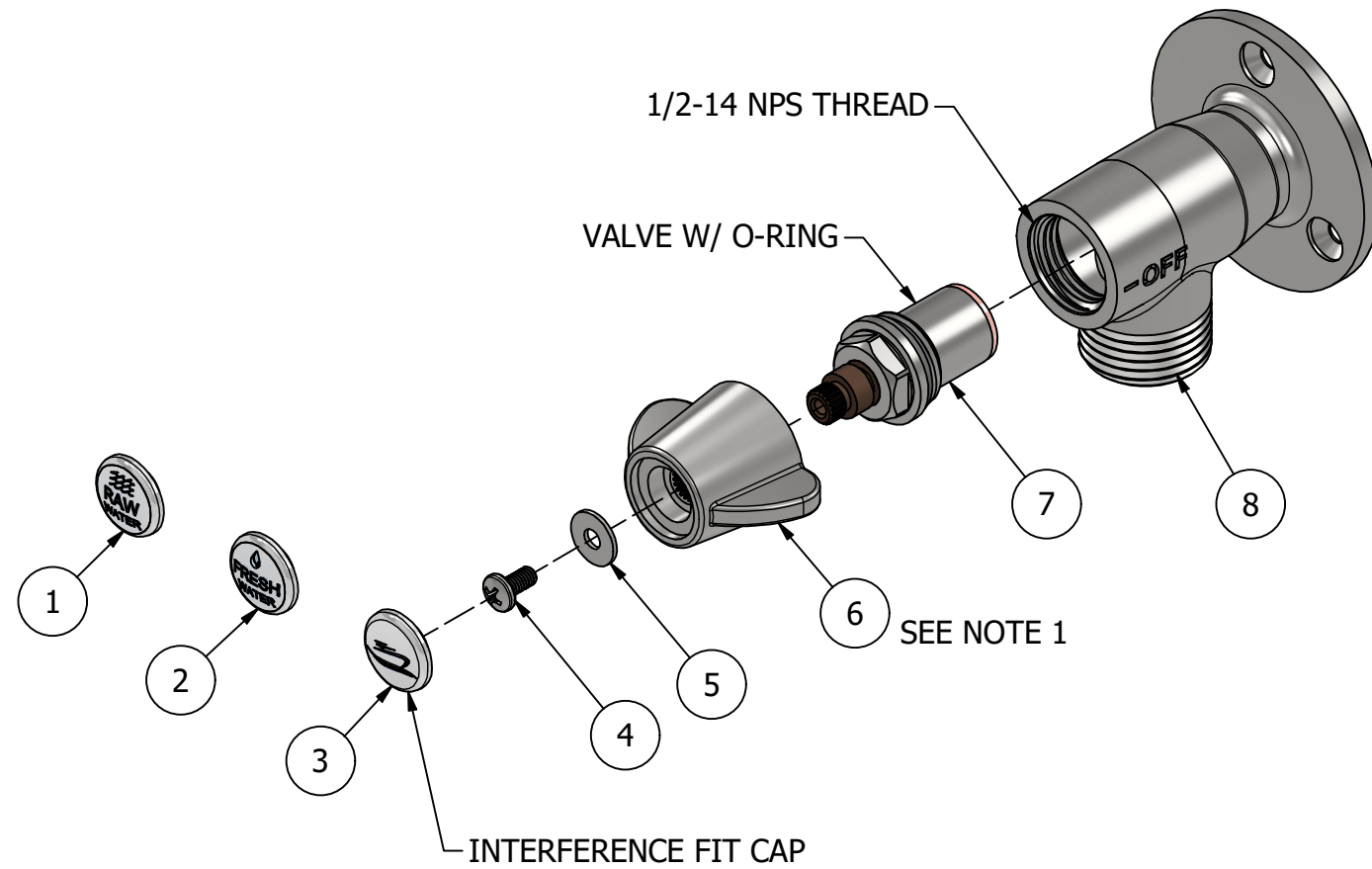
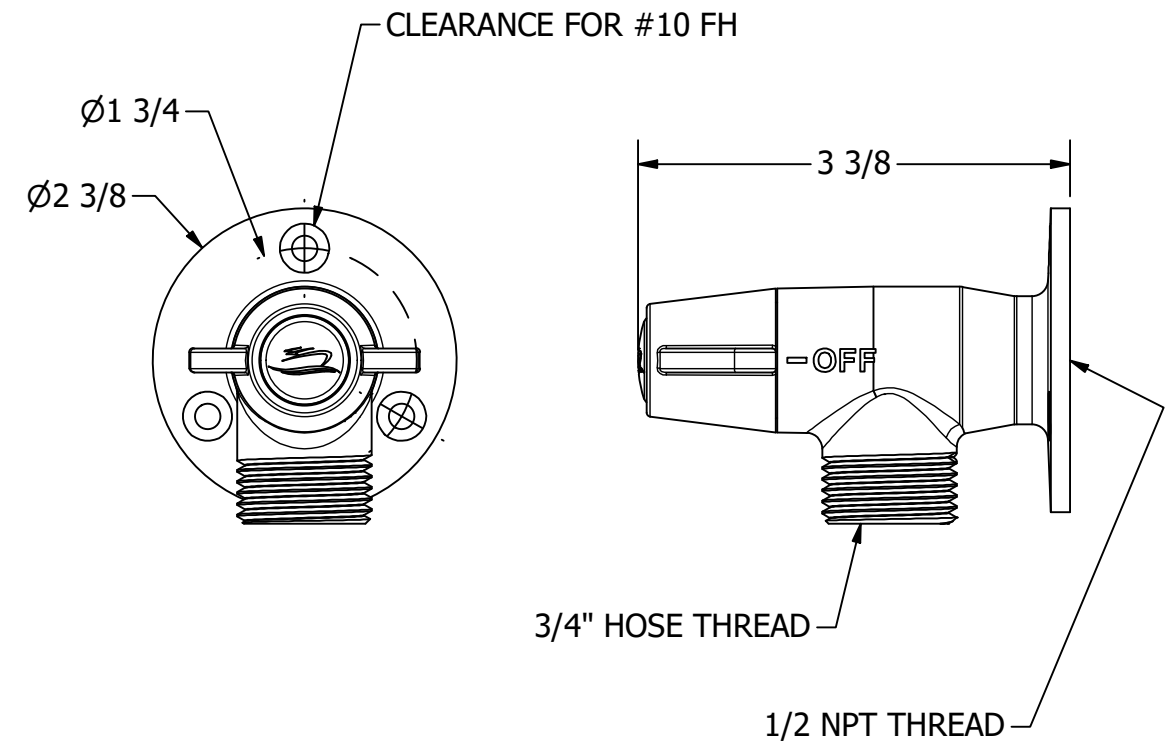


NOTES:

1. HANDLE TO BE INSTALLED AS SHOWN WITH VALVE SET IN FULLY CLOSED POSITION.
2. INSTALL PLASTIC CAP.



REVISION HISTORY		
REV	DESCRIPTION	DATE
1	ADD "OFF" TEXT	12/11/23
2	ADD 8012S-R AND 8012S-F	4/25/24
3	ADD OFF TEXT TO MIRROR SIDE ECN1015	8/5/24



PARTS LIST (8012S)					
ITEM	QTY 8012S	QTY 8012S-F	QTY 8012S-R	PART NUMBER	DESCRIPTION
1	-	-	1		PLASTIC CAP - RAW
2	-	1	-		PLASTIC CAP - FRESH
3	1	-	-	8012S-CAP	PLASTIC CAP - WW LOGO
4	1	1	1		M4X0.7 X 8MM PAN HEAD SCREW
5	1	1	1		WASHER
6	1	1	1		HANDLE
7	1	1	1	KZ: 21109010	VALVE W/ O-RING
8	1	1	1		BODY

 <b>WHITE WATER</b> MARINE HARDWARE		TITLE	
		WATER SPIGOT 316SS PART NUMBER: SEE TABLE	
SIZE B	DWG NO WWMH-8012S	REV 3	
SCALE 2 : 3	MATERIAL	SHEET 1 OF 1	