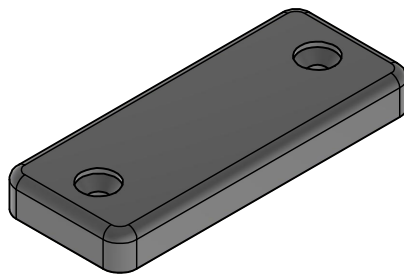
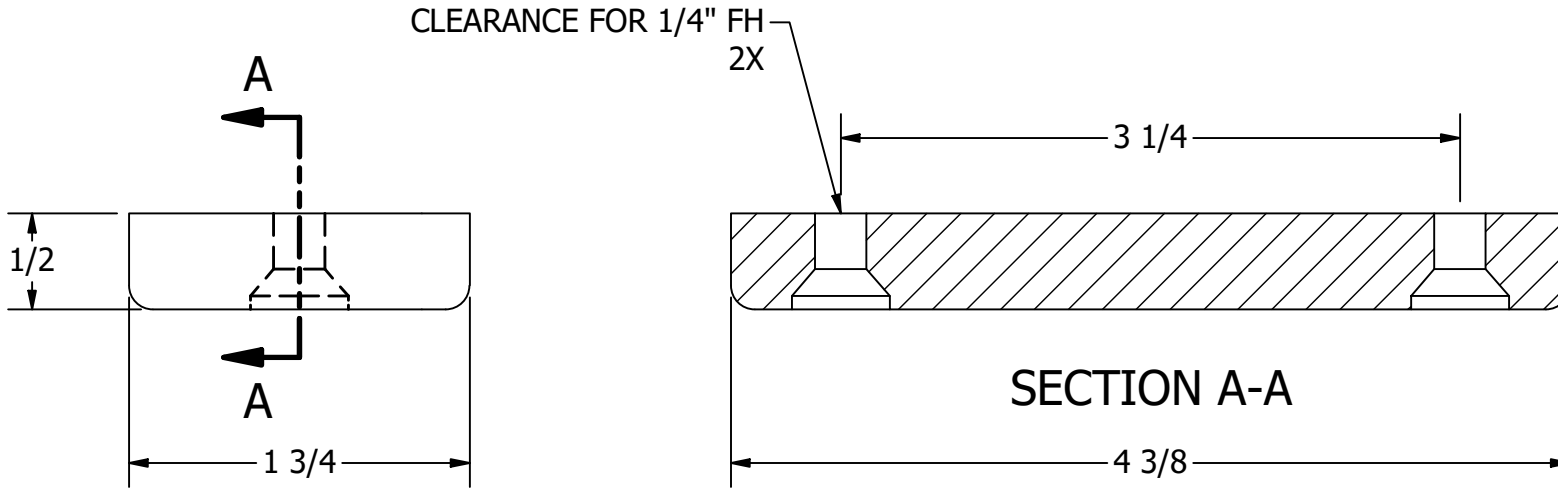



NOTES:

1. MATERIAL: DELRIN, BLACK
2. FITS AM1504\_\_\_ STYLE LADDERS



SCALE 1 : 2

FOR REFERENCE ONLY

UNLESS OTHERWISE SPECIFIED: BREAK ALL SHARP EDGES DIMENSIONS ARE IN INCHES TOLERANCES: FRACTIONAL: ± 1/16 DECIMAL: X.X ± .05 X.XX ± .01 X.XXX ± .005 ANGULAR: ± 1° FINISH: 120Ra	 <b>WHITE WATER</b> MARINE HARDWARE		
	TITLE DELRIN SPACER BLOCK, 0.50" PART NUMBER: AM-SB050		
PROPRIETARY AND CONFIDENTIAL THE INFORMATION CONTAINED IN THIS DRAWING IS THE SOLE PROPERTY OF WHITE WATER MARINE HARDWARE. ANY REPRODUCTION IN PART OR AS A WHOLE WITHOUT WRITTEN PERMISSION IS PROHIBITED.	SIZE A	DRAWING NO. WWMH-AM-SB050 CC	REV 0
	SCALE 1 : 1	DRAWN KSR	DATE 5/12/2023