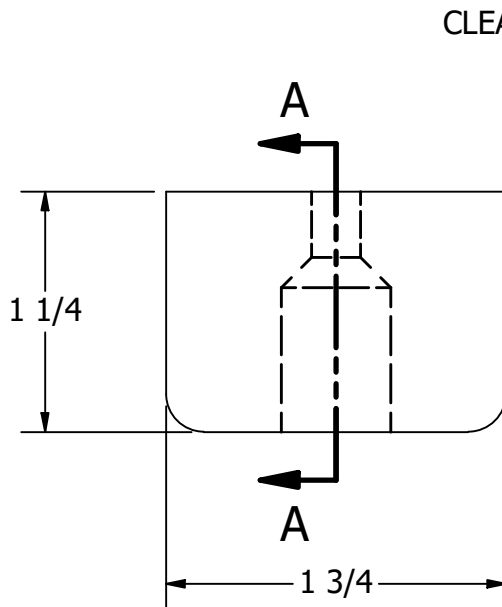
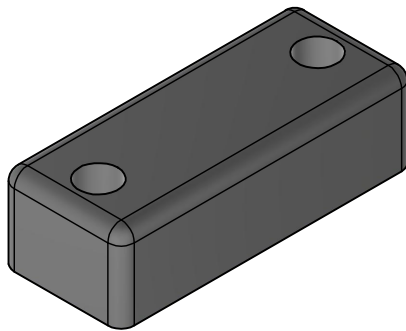
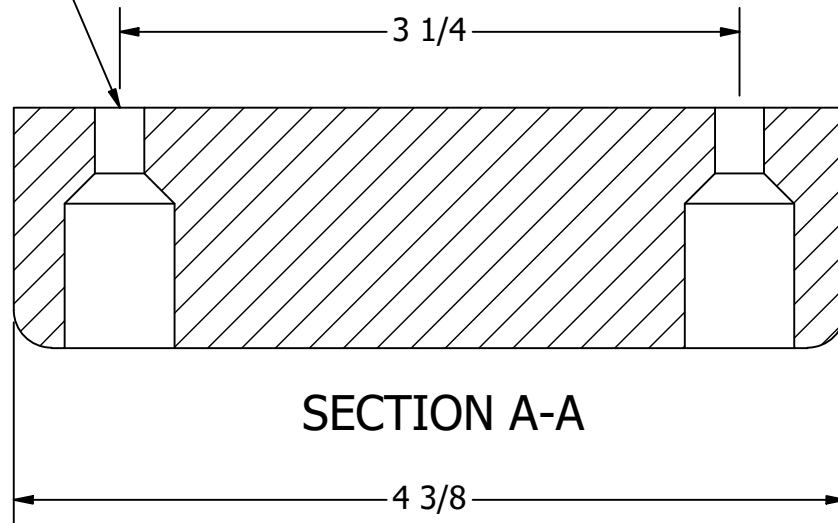


NOTES:

1. MATERIAL: DELRIN, BLACK
2. FITS AM1504\_\_\_ STYLE LADDERS



CLEARANCE FOR 1/4" FH  
2X



SCALE 1 : 2

FOR REFERENCE ONLY

UNLESS OTHERWISE SPECIFIED:  
BREAK ALL SHARP EDGES  
DIMENSIONS ARE IN INCHES  
TOLERANCES:  
FRACTIONAL:  $\pm 1/16$   
DECIMAL: X.X  $\pm .05$   
          X.XX  $\pm .01$   
          X.XXX  $\pm .005$   
ANGULAR:  $\pm 1^\circ$   
FINISH: 120Ra



**WHITE WATER**  
MARINE HARDWARE

TITLE			
DELRIN SPACER BLOCK, 1.25"			
PART NUMBER: AM-SB125			
SIZE	DRAWING NO.		REV
A	WWMH-AM-SB125 CC		0
SCALE	DRAWN	DATE	SHEET 1 OF 1
1 : 1	KSR	5/12/2023	

**PROPRIETARY AND CONFIDENTIAL**  
THE INFORMATION CONTAINED IN THIS  
DRAWING IS THE SOLE PROPERTY OF WHITE  
WATER MARINE HARDWARE. ANY REPRODUCTION  
IN PART OR AS A WHOLE WITHOUT WRITTEN  
PERMISSION IS PROHIBITED.