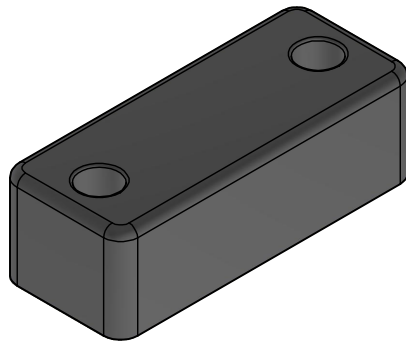
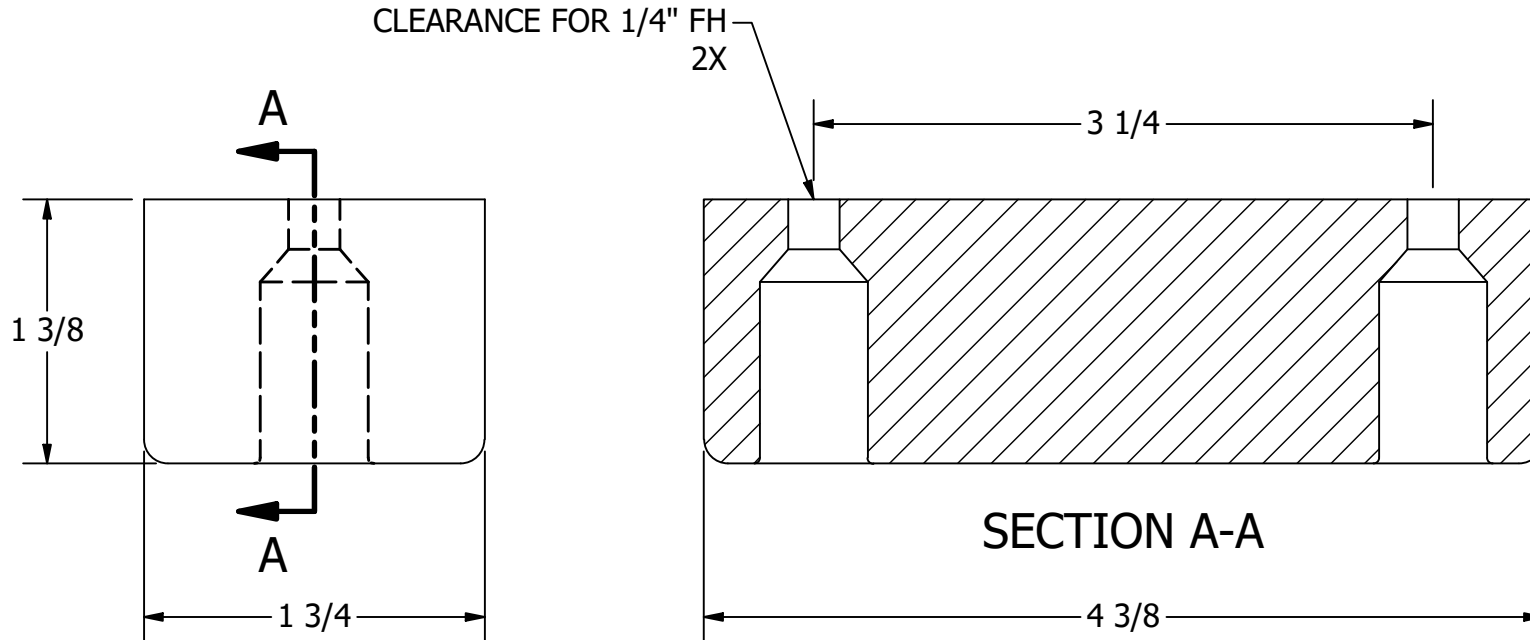



NOTES:

1. MATERIAL: DELRIN, BLACK
2. FITS AM1504___ STYLE LADDERS



SCALE 1 : 2

FOR REFERENCE ONLY

| | | | |
|--|---|--|--------------------------|
| UNLESS OTHERWISE SPECIFIED: BREAK ALL SHARP EDGES DIMENSIONS ARE IN INCHES TOLERANCES: FRACTIONAL: ± 1/16 DECIMAL: X.X ± .05 X.XX ± .01 X.XXX ± .005 ANGULAR: ± 1° FINISH: 120Ra |  WHITE WATER MARINE HARDWARE | | |
| | TITLE DELRIN SPACER BLOCK, 1.38" PART NUMBER: AM-SB138 (AM1504MB-BLK1.38) | | |
| PROPRIETARY AND CONFIDENTIAL THE INFORMATION CONTAINED IN THIS DRAWING IS THE SOLE PROPERTY OF WHITE WATER MARINE HARDWARE. ANY REPRODUCTION IN PART OR AS A WHOLE WITHOUT WRITTEN PERMISSION IS PROHIBITED. | SIZE A | DRAWING NO. WWMH-AM-SB138 CC | REV 0 |
| | SCALE 1 : 1 | DRAWN KSR | DATE 5/12/2023 |