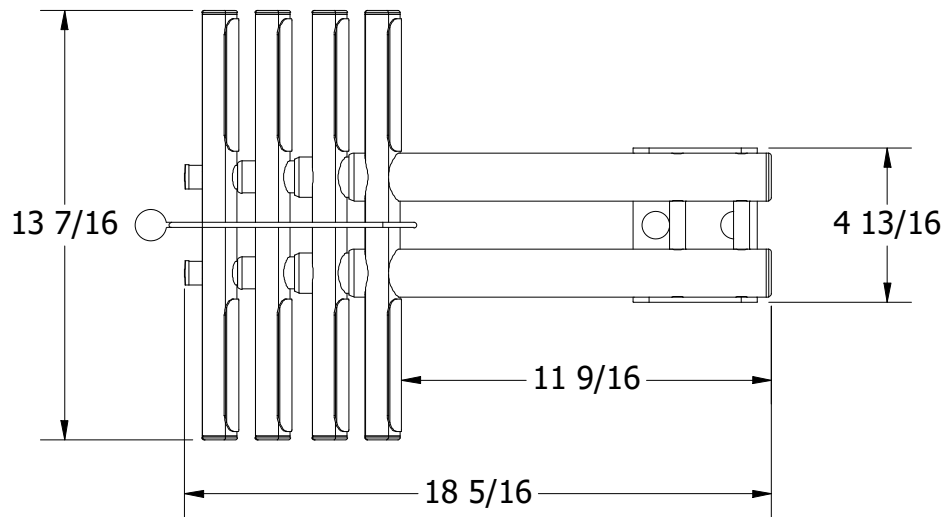


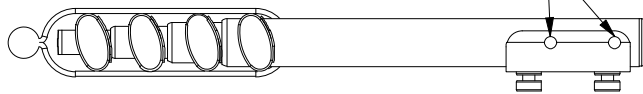
NOTES:

1. FITS AMB1, AMB2 MOUNTING BRACKETS.

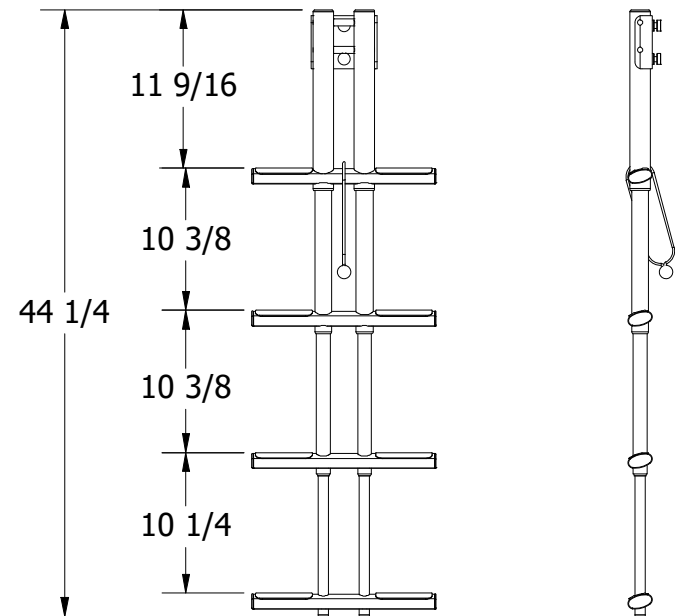
REVISION HISTORY		
REV	DESCRIPTION	DATE
1	REPLACE PLATE WITH U BRACKET, ECN 1002	9/29/23




WELD AND GRIND SMOOTH



COLLAPSED VIEW



**DEPLOYED VIEW
SCALE 1 : 14**

		WHITE WATER MARINE HARDWARE	
		TITLE TRANSOM TELESCOPING DIVE LADDER, 4 STEP PART NUMBER: AM1304T	
SIZE	DRAWING NO.	REV	
A	WWMH-AM1304T	1	
SCALE	DRAWN	DATE	SHEET 1 OF 1
1 : 6	KSR	9/21/2023	

PROPRIETARY AND CONFIDENTIAL
 THE INFORMATION CONTAINED IN THIS DRAWING IS THE SOLE PROPERTY OF WHITE WATER MARINE HARDWARE. ANY REPRODUCTION IN PART OR AS A WHOLE WITHOUT WRITTEN PERMISSION IS PROHIBITED.