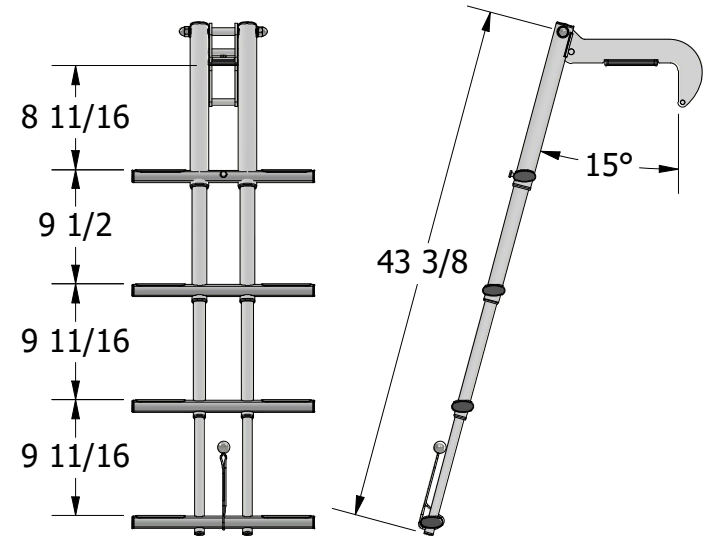
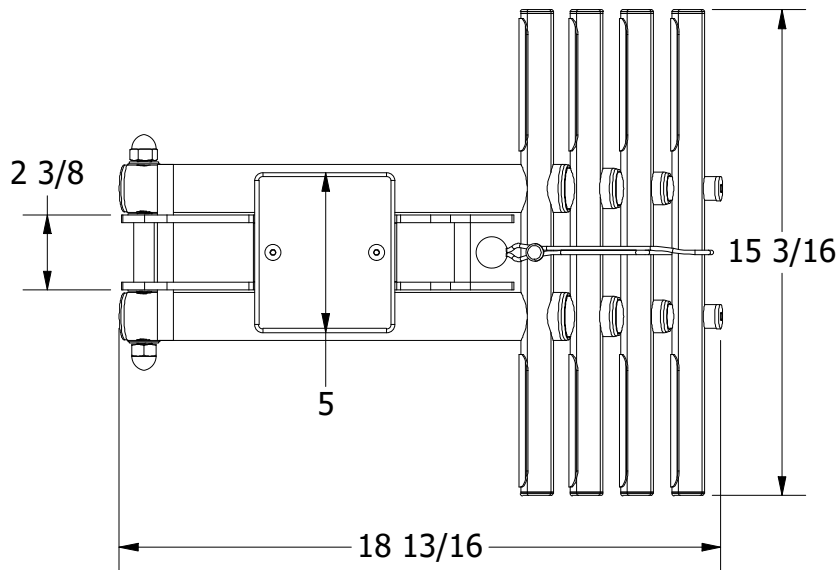
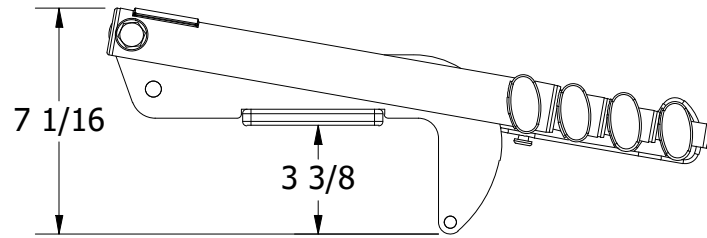


NOTES:

1. MATERIAL: 304SS OR 316SS
2. FINISH: HIGH POLISH
3. FITS AMB9 AND AMB10 STYLE MOUNTS. (NOT INCLUDED)

| REVISION HISTORY | | |
|------------------|--|---------|
| REV | DESCRIPTION | DATE |
| 1 | MOUNT NOT INCLUDED | 6/12/23 |
| 2 | CHANGE TO WIDE SUPPORT PLATE, ECN 1007 | 4/16/24 |



DEPLOYED VIEW
SCALE 1 : 16



WHITE WATER
MARINE HARDWARE

TITLE
304SS OR 316SS TELESCOPING DIVE DOOR LADDER
PART NUMBER: AM1504MB OR AM1504MB-316

PROPRIETARY AND CONFIDENTIAL
THE INFORMATION CONTAINED IN THIS DRAWING IS THE SOLE PROPERTY OF WHITE WATER MARINE HARDWARE. ANY REPRODUCTION IN PART OR AS A WHOLE WITHOUT WRITTEN PERMISSION IS PROHIBITED.

| | | |
|-----------------------|--|----------------------------|
| SIZE A | DRAWING NO. WWMH-AM1504MB CC | REV 2 |
| SCALE 1 : 6 | DRAWN KSR | DATE 9/30/2021 |
| | | SHEET 1 OF 1 |